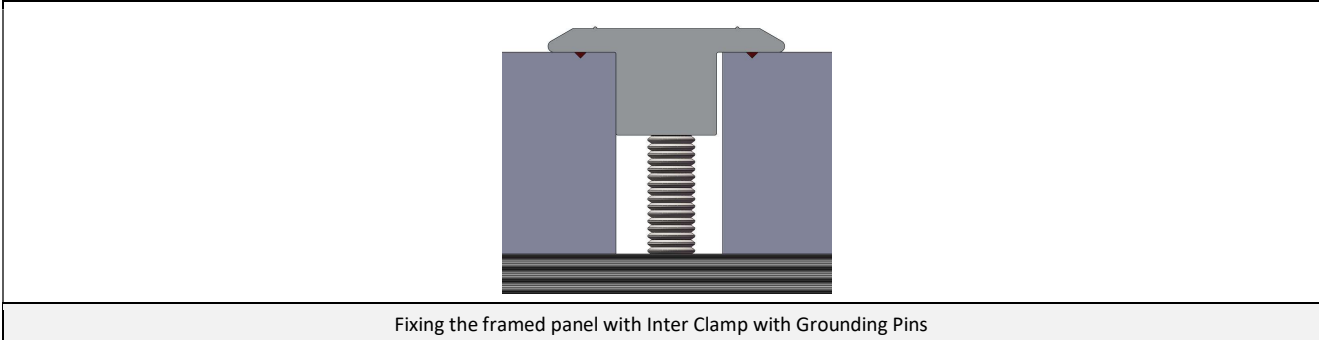
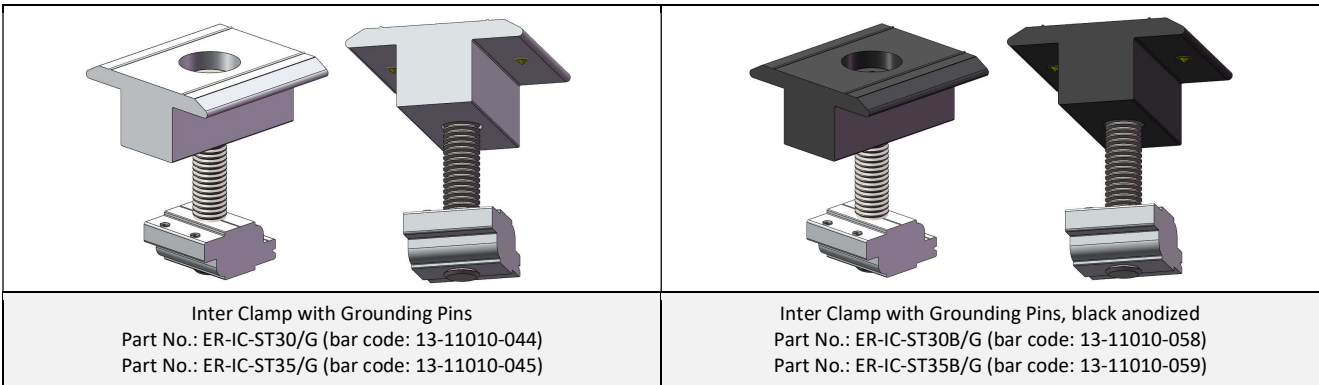


## Inter Clamp Standard 30 and 35 mm with Grounding Pins

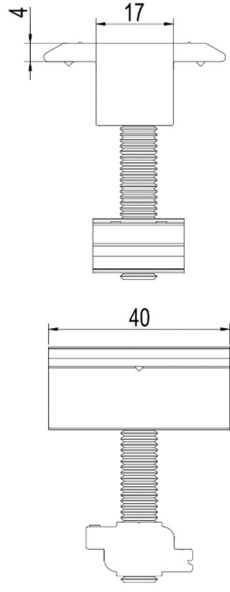
### Assembly



### Component



### Technical Specification

<b>Application</b>	ER-IC-ST30/G and ER-IC-ST30B/G is for framed PV Modules of 24-31mm (with ECO-Rail) / 26-31mm (with T-Rail) in height ER-IC-ST35/G and ER-IC-ST35B/G is for framed PV Modules of 29-36mm (with ECO-Rail) / 31-36mm (with T-Rail) in height	
<b>Requirement</b>	Needs 18mm space between PV Modules	
<b>Recommended Torque</b>	16-20N•m	
<b>Weight</b>	ER-IC-ST30/G and ER-IC-ST30B/G: 0.068 Kg ER-IC-ST35/G and ER-IC-ST35B/G: 0.070 Kg	
<b>Packaging</b>	ER-IC-STXX/G: 100 units per pack, 4 packs (400 units) per carton ER-IC-STXXB/G: 45 units per pack, 4 packs (180 units) per carton	
<b>Material</b>	Main Structure: AL6005-T5 Fasteners: SUS 304	
<b>Finish</b>	ER-IC-STXX/G: Silver anodized, no less than 10 μm (excluding machine surfaces) ER-IC-STXXB/G: Black anodized, no less than 10 μm (excluding machine surfaces)	