



MAX9™

# Changeover Switch



Changeover Switch of 40 A and 63 A

Catalogue 2023

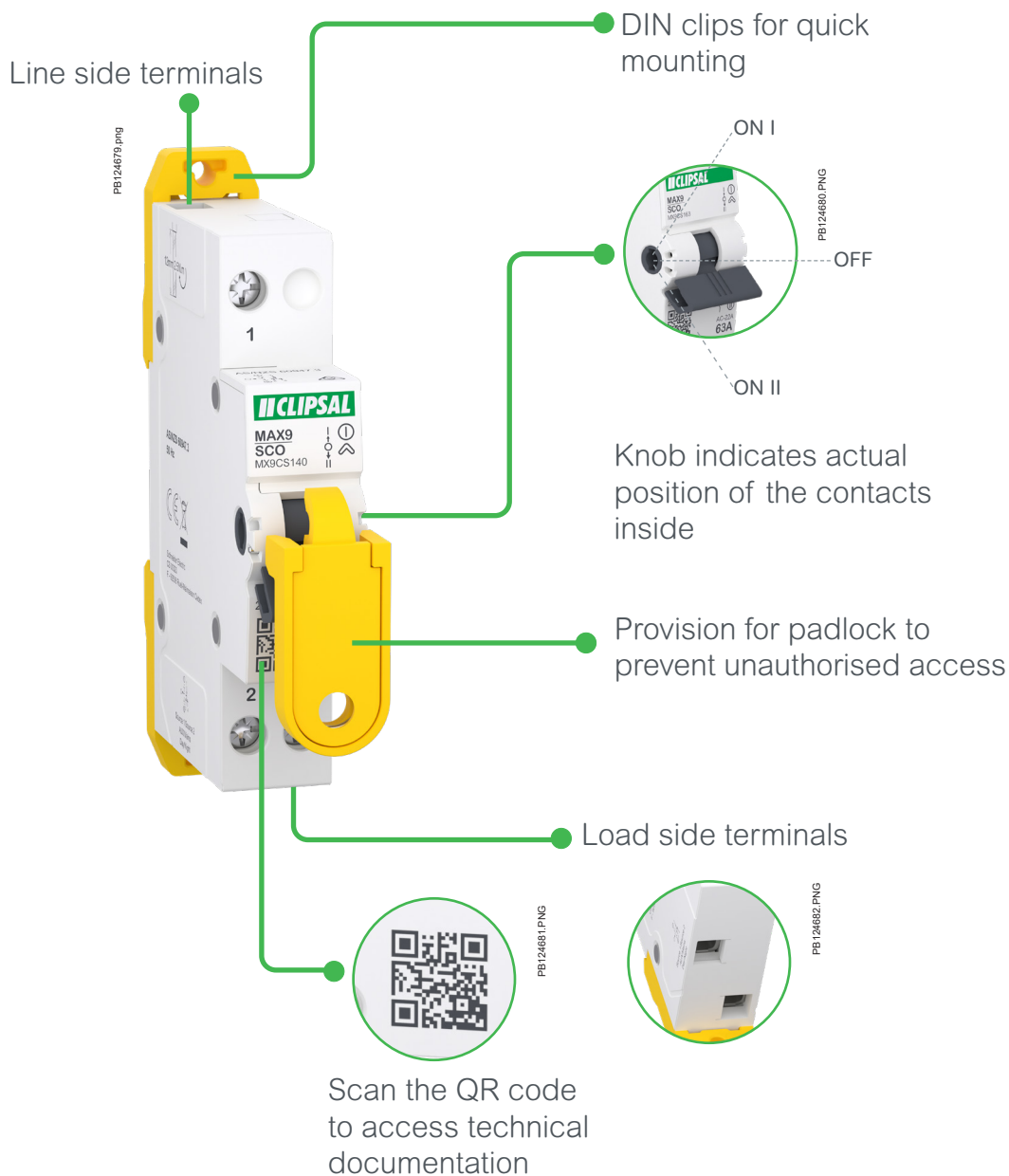


[Clipsal.com/MAX9](https://clipsal.com/MAX9)

Life Is On | **Schneider**  
Electric

The MAX9 Changeover Switches provide the perfect solution to switch manually between two power supplies or circuits. The Changeover Switch range comprises of 40 A and 63 A in 1P version. The MAX9 Changeover Switches are suitable for electrical panels in residential and small buildings.

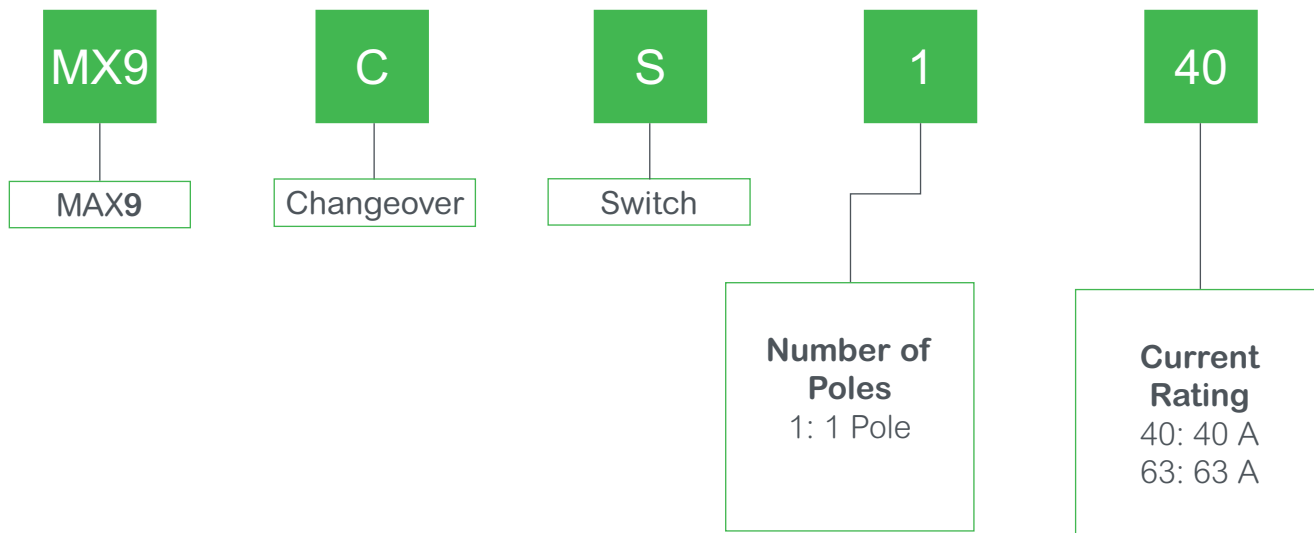
## Main Features



## Range Highlights

- Conforms to **AS/NZS 60947.3**
- Available in 3 positions (I-0-II) with Centre OFF position
- Utilization category AC-22 A

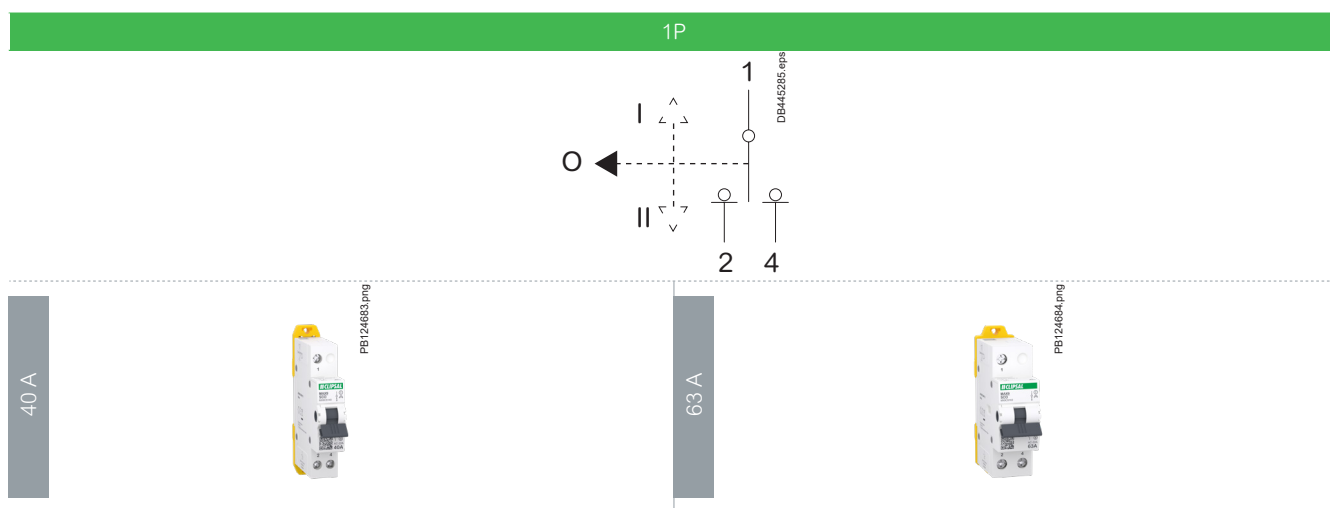
# Naming Conventions



# Product Range Table

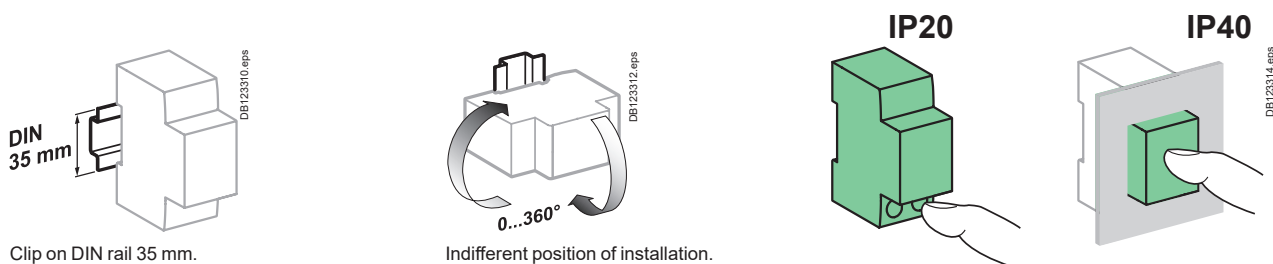
Reference	Description	Pole	Rating	Voltage
MX9CS140	MAX9 Changeover Switch 1P 40A 230/240 VAC AS/NZS 60947.3	1P	40 A	230/240 V AC
MX9CS163	MAX9 Changeover Switch 1P 63A 230/240 VAC AS/NZS 60947.3	1P	63 A	230/240 V AC

# Electrical Circuit Diagram

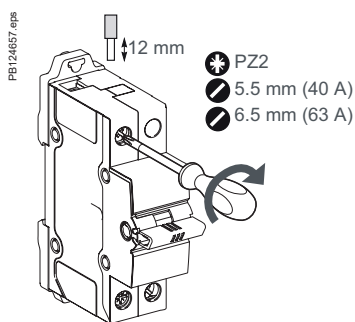


# Technical Specifications

Main characteristics			
Voltage rating (Ue)		230-240 V	
Insulation voltage (Ui)		690 V	
Operating frequency		50 Hz	
Rated impulse withstand voltage (Uimp)		6 kV	
Permissible rated short-time withstand current (Icw)		20 x In for 1 sec	
Rated short-circuit making (Icm)		20 x In	
		MX9CS140	MX9CS163
Utilization category	AC 21A/B	40 A	63 A
	AC 22A/B	40 A	63 A
	AC 23A/B	32 A	50 A
Pollution degree		3	
Additional characteristics			
Degree of protection (IEC 60529)	Device only	IP20	
	Device in modular enclosure	IP40	
Endurance (O-C)	Electrical	7,000 cycles	
	Mechanical	10,000 cycles	
Operating temperature		-25...+60 °C	
Storage temperature		-40 ...+80 °C	

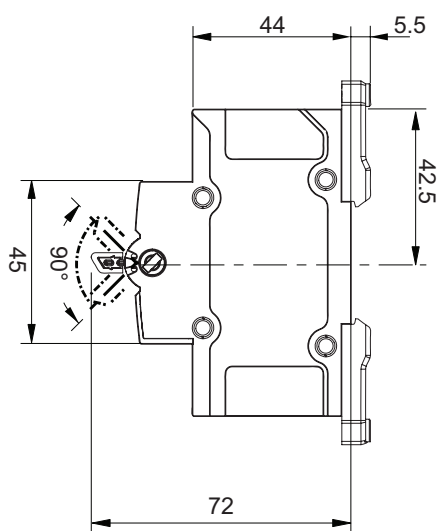


## Connection

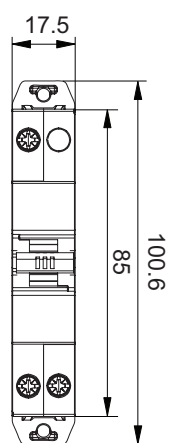


Rating	Tightening Torque	Copper Cables	
		Rigid	Flexible or with ferrule
40 A	2.5 N.m	1 to 16 mm <sup>2</sup>	1 to 10 mm <sup>2</sup>
63 A	4 N.m	1 to 25 mm <sup>2</sup>	1 to 16 mm <sup>2</sup>

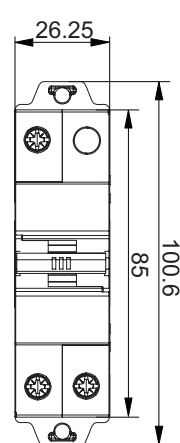
## Dimensions (mm)



Side View



1P (40 A)



1P (63 A)

DB445291.eps

## Weight (g)

Pole	Rating	Weight (g)
1P	40 A	85
1P	63 A	120

## Accessories



PB124665.png

Type	Reference	Description
Padlocking Device	A9ASCOPL1	Padlocking device, Acti9, for changeover switch, for 18 mm width (1 module), set of 2
	A9ASCOPL2	Padlocking device, Acti9, for changeover switch, for 27 mm width (1.5 module), set of 2

Lock HASP : Ø3.5mm to Ø5mm



PB124670.png





# Green Premium™

Endorsing eco-friendly products in the industry



Green Premium is the only label that allows you to effectively develop and promote an environmental policy whilst preserving your business efficiency. This ecolabel guarantees compliance with up-to-date environmental regulations, but it does more than this.

Over 75% of Schneider Electric manufactured products have been awarded the Green Premium ecolabel



Discover what we mean by green ...

**Check your products!**

Schneider Electric's Green Premium ecolabel is committed to offering transparency, by disclosing extensive and reliable information related to the environmental impact of its products:

#### RoHS

Schneider Electric products are subject to RoHS requirements at a worldwide level, even for the many products that are not required to comply with the terms of the regulation. Compliance certificates are available for products that fulfil the criteria of this European initiative, which aims to eliminate hazardous substances.

#### REACH

Schneider Electric applies the strict REACH regulation on its products at a worldwide level, and discloses extensive information concerning the presence of SVHC (Substances of Very High Concern) in all of its products.

#### PEP: Product Environmental Profile

Schneider Electric publishes complete set of environmental data, including carbon footprint and energy consumption data for each of the lifecycle phases on all of its products, in compliance with the ISO 14025 PEP ecopassport program. PEP is especially useful for monitoring, controlling, saving energy, and/or reducing carbon emissions.

#### EoLI: End of Life Instructions

Available at the click of a button, these instructions provide:

- Recyclability rates for Schneider Electric products
- Guidance to mitigate personnel hazards during the dismantling of products and before recycling operations
- Parts identification for recycling or for selective treatment, to mitigate environmental hazards/ incompatibility with standard recycling processes

For more information about MAX9 and other Clipsal products, contact your local Clipsal and Schneider Electric Partner Business Representative, electrical wholesaler, or visit: [clipsal.com/iconicoutdoor](https://clipsal.com/iconicoutdoor)

Schneider Electric (Australia) Pty. Ltd.  
33-37 Port Wakefield Road,  
Gepps Cross, South Australia, 5094  
PO Box 132, Enfield Plaza,  
South Australia, 5085  
[www.clipsal.com](https://www.clipsal.com)

Consumer Support Enquiries  
Phone: 1300 669 925  
Website: [clipsal.com/contactus](https://clipsal.com/contactus)  
National Customer Care (Trade only)  
Phone: 1300 369 233

11-2023

CX904000E

© 2023 Schneider Electric. All Rights Reserved. Iconic and Clipsal are trademarks of Schneider Electric (Australia) Pty Ltd.

 **CLIPSAL**<sup>®</sup>

[clipsal.com/MAX9](https://clipsal.com/MAX9)

Life Is On

**Schneider**  
 Electric