

EASYSPOOL™

TRADIES' BEST MATE



EASYSPOOL™

GET YOUR
JOB DONE
QUICKER!



TrustOlex.

Nexans
Olex

ABOUT THE INNOVATION

How did the EASYSPOOL™ come about?

Simple - you spoke and we listened. Nexans Olex understands that there's a need to simplify cable handling and installation. Hence we've constructed "tradie's best mate" – the EASYSPOOL™!

Safety is key to ensure that the EASYSPOOL™ carries no more than 150kg. The design is constructed to carry a maximum load of 6 cable spools.

**Built to fit all Nexans Olex spools from 100m-200m*

STANDARDS AND COMPLIANCE

EASYSPOOL™ has been designed and constructed in accordance with the relevant Australian Standards for materials, fasteners and assembly, ensuring structural integrity and longevity. Some of the applicable Standards are:

AS/NZS 5131 – Structural Steelwork – Fabrication and Erection

AS/NZS 1554 – Structural Steel Welding Set

AS/NZS 3678 – Structural Steel

AS/NZS 1170 – Structural Design Actions

FEATURES AND BENEFITS

Easy to load



Special curved arm design enables easy loading of cable spools and holds up to 25kg per arm.

Easy to manage



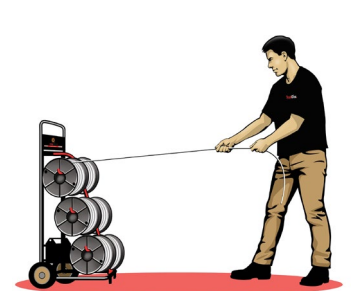
Removes the need to physically carry reels on forearms which therefore minimises OHS injuries and manual handling

Easy to move



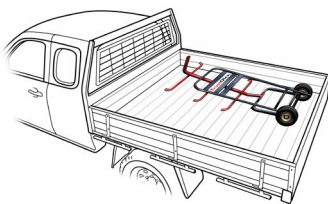
From your truck to the jobsite, manoeuvre freely and position your EASYSPOOL™ for easy cable installation.

Easy to reel



Designed to act as an 'A frame' for wiring. Save time by pulling up to 6 cables at once with ease and reduce the number of drum changes (compared to old style cable rollers).

Easy to store



Collapsible, compactible and can be stored easily in your truck

Removable toolbox



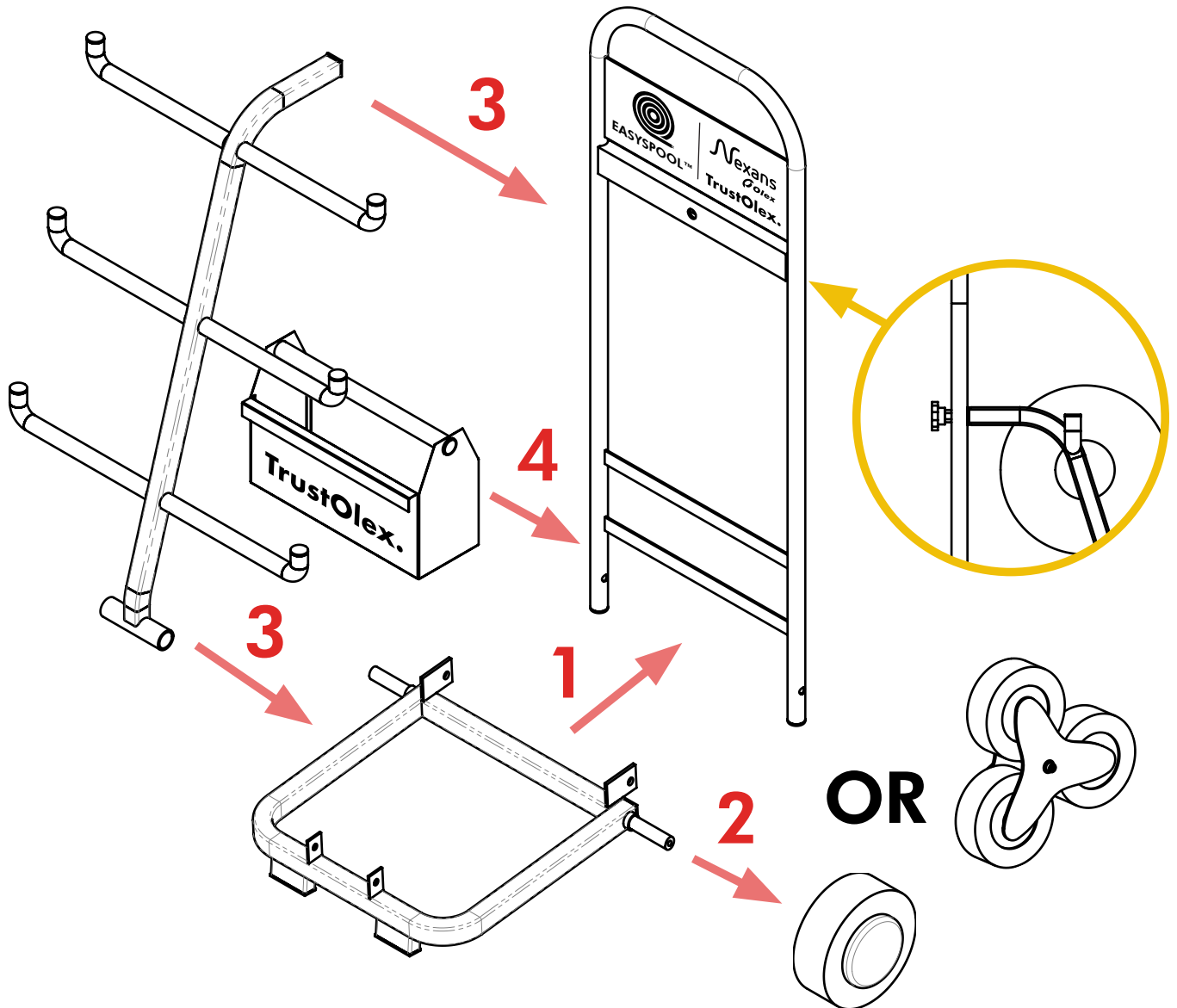
EASYSPOOL™'s handy removable toolbox clips onto the back of the trolley for additional tool storage.

3 Wheels accessory



With its simplistic design, simply unscrew the bolt and change the wheels and you'll be upstairs in no time.

ASSEMBLY INSTRUCTIONS



1

Assemble the main frame to the base frame with bolt/nut provided.

2

Attach the wheel on the extension bar on the base frame with bolt/washer provided

3

Firstly attach the pool spine to the bottom base frame with the long bolt provided, then connect the top of the spool spine to the main frame and secure it with the threaded knob provided.

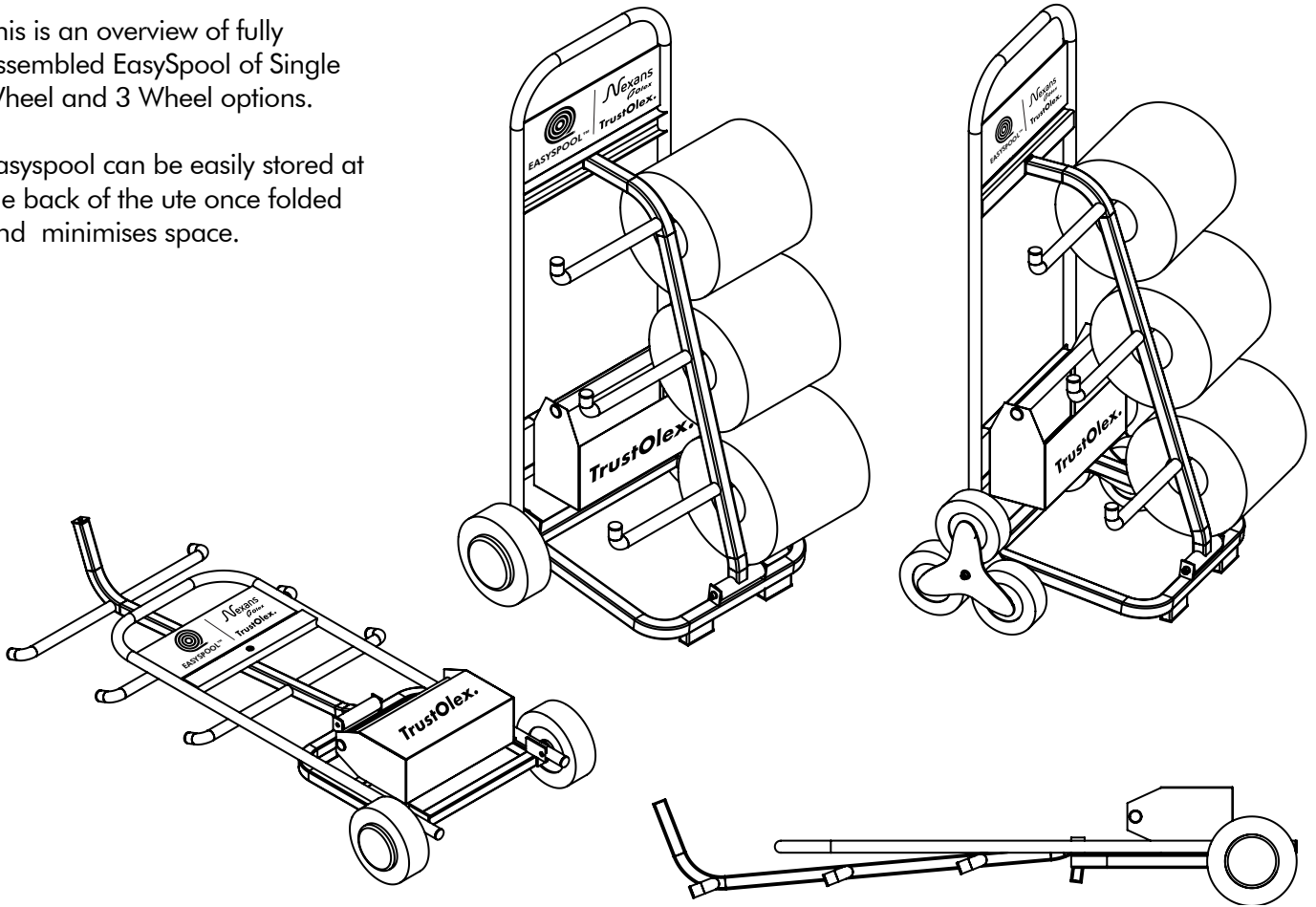
4

You can clip the toolbox on the bars for additional storage

ASSEMBLY INSTRUCTION

This is an overview of fully assembled EasySpool of Single Wheel and 3 Wheel options.

Easyspool can be easily stored at the back of the ute once folded and minimises space.



WATCH THE VIDEO!

Check out our latest videos on YouTube about the EASYSPOOL™ and make sure to search and follow “Nexans Olex” on YouTube for updates on the latest products and innovation.



INTRODUCING THE EASYSPOOL™!

<https://youtu.be/YfEOfqzKPE>



**THE EASYSPOOL™
TRADIES BEST MATE**

<https://youtu.be/T-S1HyP2RHE>



YOUR FEEDBACK SO FAR



“Personally, I haven’t seen anything like this trolley before. It’s a great design.”



“It makes life a lot easier, being able to load up multiple drums of cable in one go. Saved us heaps of time on the job!”



“It’s a lot safer having it here as you’re not pulling it around bends and corners so you can see where the cable’s coming from”



“It’s my new best friend.”

— Adam Camenzuli, L+O Technologies

Trusted by Australians for over 75 Years

Nexans Olex is Australia's leading cable manufacturer with over 75 years of success in servicing the Australian markets.

With a long standing reputation and excellence in delivering world-class cable design, engineering solutions and manufacturing excellency, Nexans Olex cables meet and exceed the relevant Australian and International Standards. With a rich history at its core, Nexans Olex draws on global parentage to lead the electrical industry through technical innovation, quality and industry stewardship.

Nexans Olex specialises in delivering cables and cabling solutions to major industries including Building and Construction, Energy Resources, Infrastructure, Renewable Energy and Electricity Supply Industry (ESI).

**WE DELIVER THE BEST SOLUTIONS
TO SUPPORT YOUR PROJECT NEEDS**

Call 1300 CABLES or visit www.olex.com.au

TrustOlex.

