

PUPPUSB2GACVP
PUPPUSB2GACVPBK
PUPPUSB2GACVPD

Cleaning Guide:

Spraying cleaning products directly on to electrical switches or power points (sockets) is not recommended.

It is important to ensure that switches are turned off before cleaning.

Do not use any cleaning sprays - only wipe down with damp cloth or rub with dry cloth. Do not use an abrasive cloth as it may scratch the plastic.

Do not use harsh chemical cleaners as these can break down the plastic and cause it to crack.

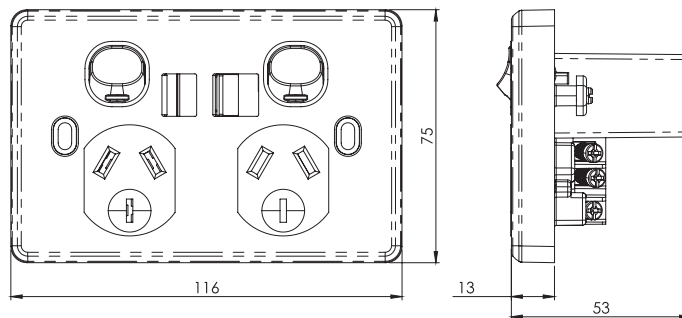
Do not wash the cover plates in water over 60°C.



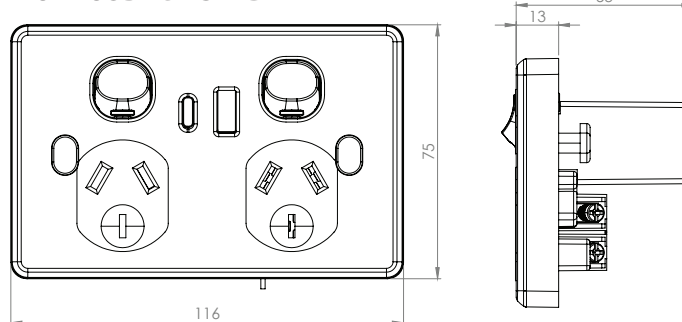
Puma Vandal Proof Range of USBs

- Suitable for USB Type A and Type C applications up to 3 Amp at 5V.
- Ideal for phones that utilise USB Type C connections.
- Not suitable for lap tops or other devices requiring greater output than 3 Amp at 5V.
- USB outlet approved to AS/NZS 60950.1
- Electrical power point approved to AS/NZS 3112
- The overall electronic assembly rating is 3.4A at 5V; it then divides the output when devices are inserted in each USB socket.
- PUPPUSB2GACVP has shuttered USB sockets.
- Single Pole, 10A 250V~ Electrical Switched sockets.
- PUPPUSB2GACVPD sockets are double pole.
- Shuttered Electrical Switched sockets.
- Fits standard wall boxes and mounting accessories.
- Full cover plate.
- Covers, plates and dollies are made from UV stabilised polycarbonate to avoid discolouring to yellow.
- Shutter operates from either earth or neutral
- PUPPUSB2GACVP available in White and Black. Please check availability.
- PUPPUSB2GACVPD available in White.

PUPPUSB2GACVP



PUPPUSB2GACVPD



Catalogue Number	Description
PUPPUSB2GACVP	Power Point, Fully Integrated Dual USB Charger Single Pole (Type A & C) Shuttered
PUPPUSB2GACVPBK	Power Point, Fully Integrated Dual USB Charger Single Pole (Type A & C) Shuttered, Black
PUPPUSB2GACVPD	Power Point Switched 2 Gang 10A 250V Double Pole Shuttered with USB Charger Dual Integrated Type A and C 5V 1.7A 3.4A Vandal Proof with Non-removable Cover White

Certification Number:
GMA-508273-EA

GSM Electrical (Australia) Pty Ltd
Level 2, 142-144 Fullarton Road, Rose Park SA 5067
P: 1300 301 838 F: 1300 301 778 E: service@gsm.com.au
www.gsm.com.au

