

ZUNI RECESSED MOUNTED IP20 360° PIR, WHITE

RZU360RI20-01

PLEASE READ INSTRUCTION BEFORE COMMENCING INSTALLATION AND RETAIN FOR FUTURE REFERENCES.

! Electrical products can cause death or injury, or damage to property. If in any doubt about the installation or use of this product, consult a competent electrician

Note:

Product technical information and specification may change over time without prior notification. For the latest technical information please visit our web site www.ledgrouprobust.com.au

-20°C < Ta < +40°C, 220-240V~50Hz, Class II, IP20

Rated load: Max. 800W for Incandescent, Max.400W for Fluorescent, Max. 400W for LED

Suitable for mounting on a normally flammable surface.

Mounting Height: 2.2m to 4m

Detection Range: 6m

Lux Level Adjustment: 3-2,000 Lux

Time Delay: 10 (±3) Seconds - 15 (±2) Minutes

Installation

1. Ensure mains supply is switched off before commencing work.
2. Select suitable location for installing the sensor
3. Twist and remove trim to access controls
4. The sensor requires a 42mm hole, before cutting check location of buried cables, pipes and other building services
5. Connect power supply as per diagram
6. Hold retention springs vertically, push the through the cut-out until the springs come down on the upper side of the plasterboard. Ensure the is secure and the bezel is tight against the ceiling.
7. Attach trim after test and set up

Test:

Walk testing can be carried out to determine detection area with slow walking pace. When the sensor detects movement, the load will be switched on for the pre-set time. For the walk test turn Lux control toward the Sun position (Max) and set time delay to 10s. When finished, set controls to desired levels.

Note: Once sensor has been triggered, subsequent detection restarts timing period from beginning, so light stays on until set time elapses after last triggering

ADJUSTING THE LUX CONTROL LEVEL:

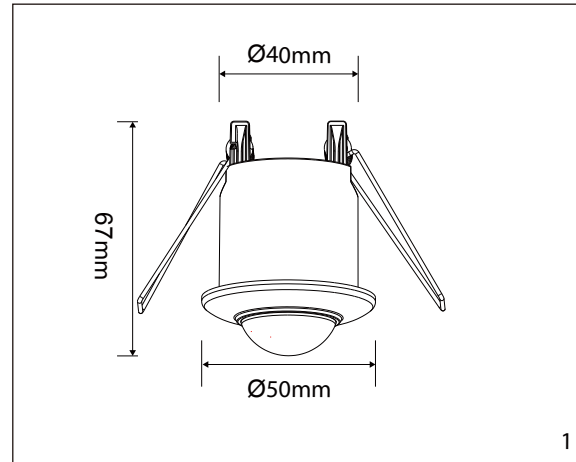
The Lux control has a built-in sensing device that detects daylight and darkness.

The Sun position (2000 Lux) denotes that the load will be turned on by the sensor during the day and also at night. The minimum Lux setting 3 Lux means that the load will be turned on by sensor only at night. Lux settings can be adjusted from 3 – 2000 Lux by rotating the dial

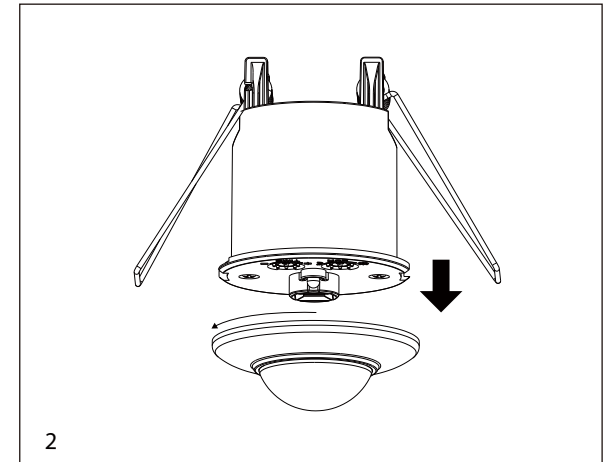
ADJUSTING THE TIME DELAY:

The Time Delay is "the length of time that the sensor switches the load 'on' after activation". The duration time can be adjusted from 10 (±3) seconds to 15 (±2) minutes.

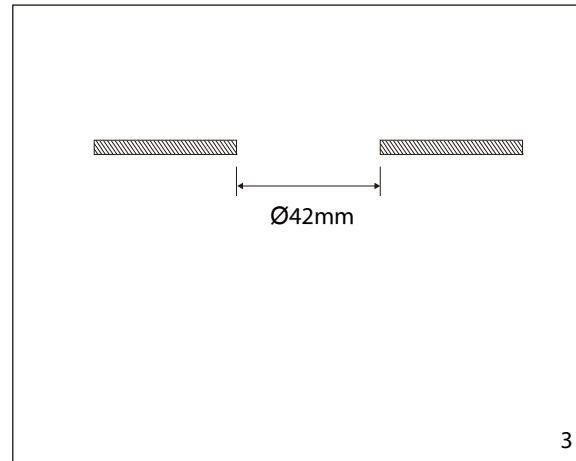
The Installation must be carried out by a qualified electrician



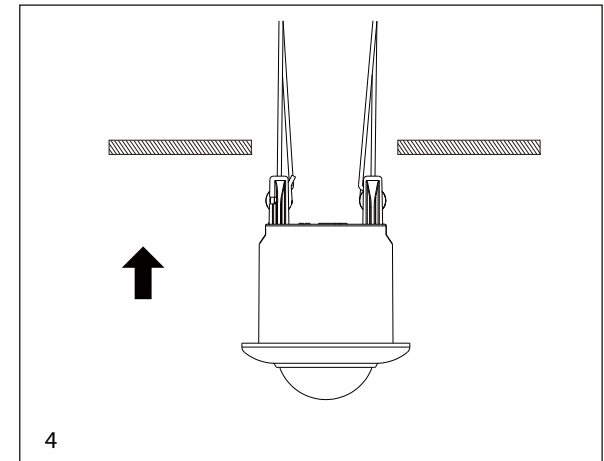
1



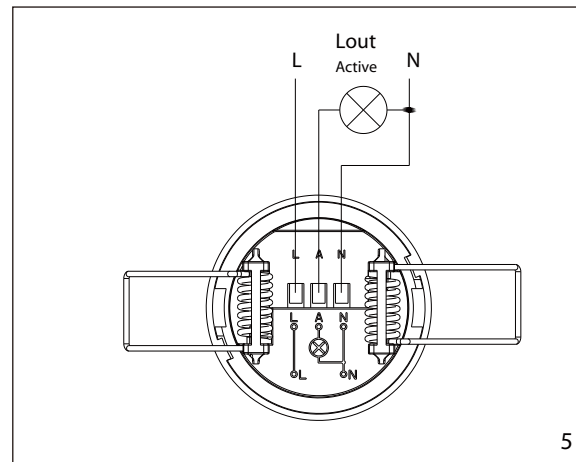
2



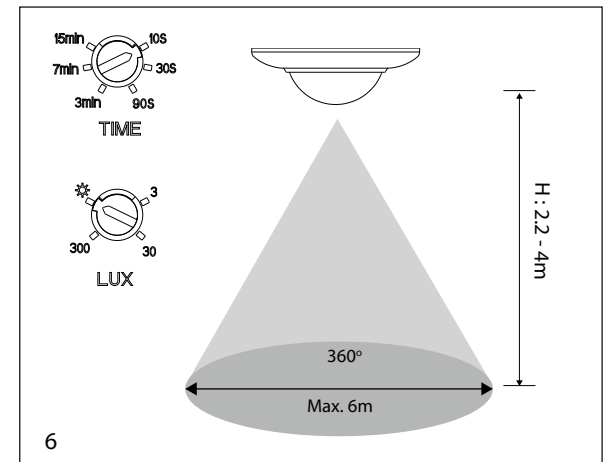
3



4



5



6