

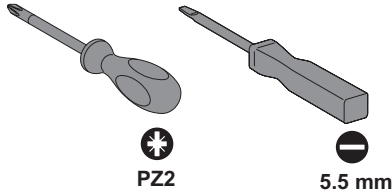


PKR78532-01



**CLIPSAL**<sup>™</sup>

by Schneider Electric



PZ2

5.5 mm

### PLEASE NOTE

- This equipment must be installed and maintained by a qualified electrician in accordance with the appropriate statutory regulations and codes of practice.
- All applicable local, regional and national regulations must be complied with during the installation, use, maintenance and replacement of this device.
- This product should not be installed if, when unpacking it, you observe that it is damaged.
- Clipsal cannot be held responsible in the event of noncompliance with the instructions in this document and in the documents to which it refers.
- The service instruction must be observed throughout the life time of this product.

## ⚠️ ⚠️ DANGER

### HAZARD OF ELECTRIC SHOCK, EXPLOSION OR ARC FLASH

- Turn off all power supplying this product before working on it.
- Use a voltage tester with a suitable rated voltage in order to check that all active conductors are not energized.
- Do not cut the the comb busbar.

Failure to follow these instructions will result in death or serious injury.

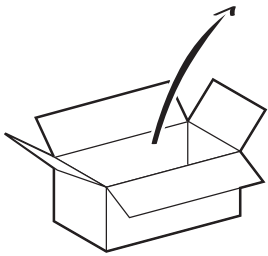
## ⚠️ WARNING

### HAZARD OF DEVICE DAMAGE

- Ensure all the connected sources do not exceed 100 A at any one time.
- Do not replace MCB's with isolator switch or terminal block.

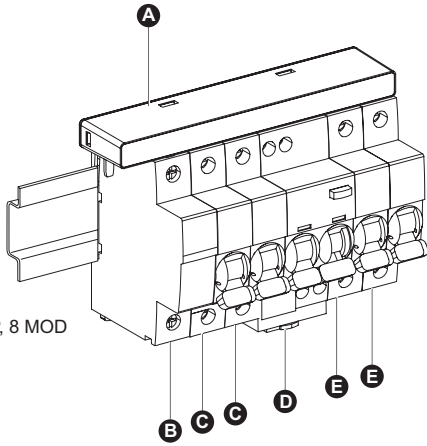
Failure to follow these instructions will result in death or serious injury.

# 1 Unboxing



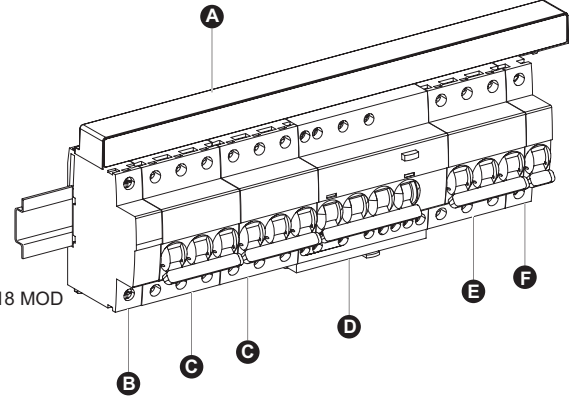
Single phase box				Three phase box			
Commercial Reference Number	Device Name	Device Image	Quantity	Commercial Reference Number	Device Name	Device Image	Quantity
-	100A MAXBAR+ 1P, 8 MOD busbar		1	-	100A MAXBAR+ 3P, 18 MOD busbar		1
MX9TB1100	Terminal Block, 100A, 1P		1	MX9TB1100	Terminal Block, 100A, 1P		1
MX9MC163R	1P, 63A, C Curve, 6000A, 240/415V, RED Toggle		2	MX9MC363R	3P, 63A, C Curve, 6000A, 415V, RED TOGGLE		2
MX9MC132	1P, 32A, C Curve, 6000A, 240/415V		2	MX9MC132	1P, 32A, C Curve, 6000A, 240/415V		1
MX9R3240	1PN, 40A, 30mA, C Curve, 6000A, A Type, 2 MOD		1	MX9R3540	3PN, 40A, 30mA, C Curve, 6000A, A Type, 5 MOD		1
-	Comb busbar Tooth Cap		2	MX9MC325	3P, 25A, C Curve, 6000A, 415V		1
-	Instruction sheet		1	-	Comb busbar Tooth Cap		3
-	Way label		1	-	Instruction sheet		1
-				-	Way label		1

### 2.1 Single Phase



- A** 100A MAXBAR+, 1P, 8 MOD
- B** MX9TB1100
- C** MX9MC163R
- D** MX9R3240
- E** MX9MC132

### 2.2 Three Phase



- A** 100A MAXBAR+, 3P, 18 MOD
- B** MX9TB1100
- C** MX9MC363R
- D** MX9R3540
- E** MX9MC325
- F** MX9MC132

## ⚠ WARNING

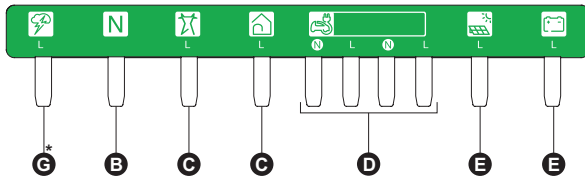
### UNINTENDED EQUIPMENT OPERATION

Ensure to install the devices in specified positions only.

**Failure to follow these instructions can result in death, serious injury, or equipment damage.**



### Single Phase Comb Busbar



- B** MX9TB1100
- C** MX9MC163R
- D** MX9R3240
- E** MX9MC132
- G** MX9MC140 + MX9SP140

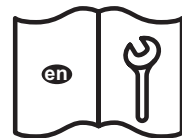
\*Circuit protection device and SPD sold separate to this kit.

\*\*Last module can be used for either sub board or 2nd solar connection, if no AC coupled battery connection is required.

- Circuit protection device for SPD
- Neutral connection
- Grid connection
- House connection
- EV connection
- Solar connection
- AC coupled battery \*\*

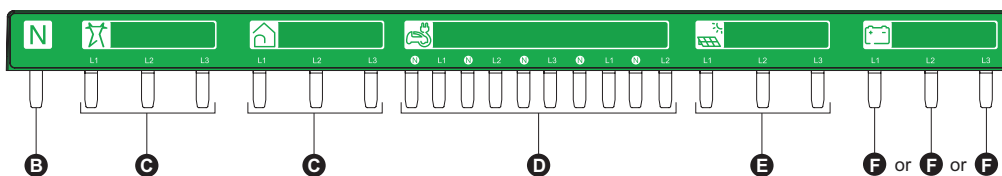


For more information on SPD selection & connection, consult the SPN installation sheet.



JYT2046400

### Three Phase Comb Busbar



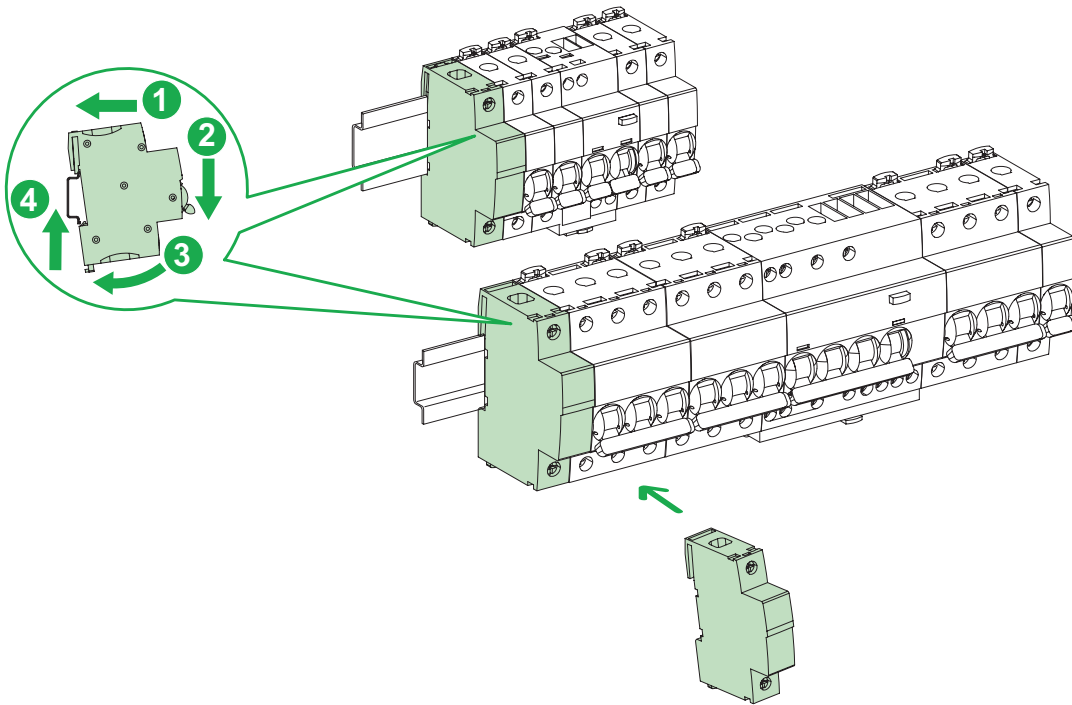
- B** MX9TB1100
- C** MX9MC363R
- D** MX9R3540
- E** MX9MC325
- F** MX9MC132

- Neutral connection
- Grid connection
- House connection
- EV connection
- Solar connection
- AC coupled battery \*\*

\*\*Last module can be used for either sub board or 2nd solar connection, if no AC coupled battery connection is required.

# 3

## Installation of Devices

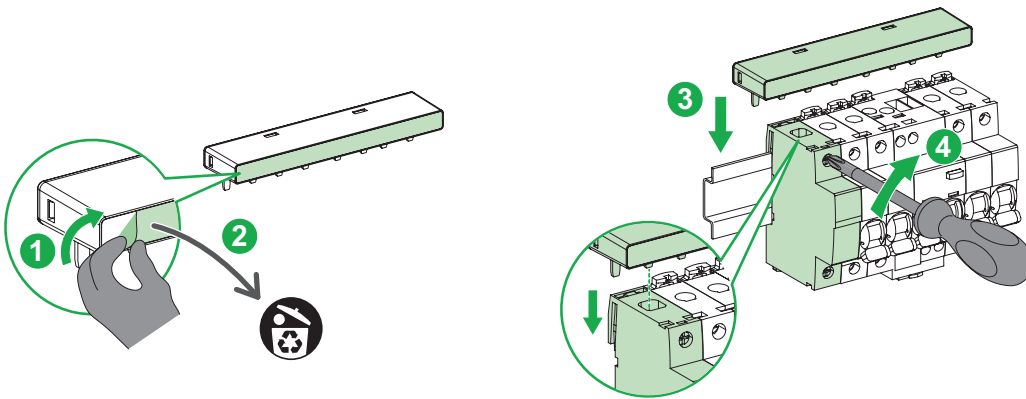


**Note:** For more information, refer to the respective device instruction sheets and technical data sheets.

# 4

## Installation of Comb Busbar

### 4.1 Single Phase



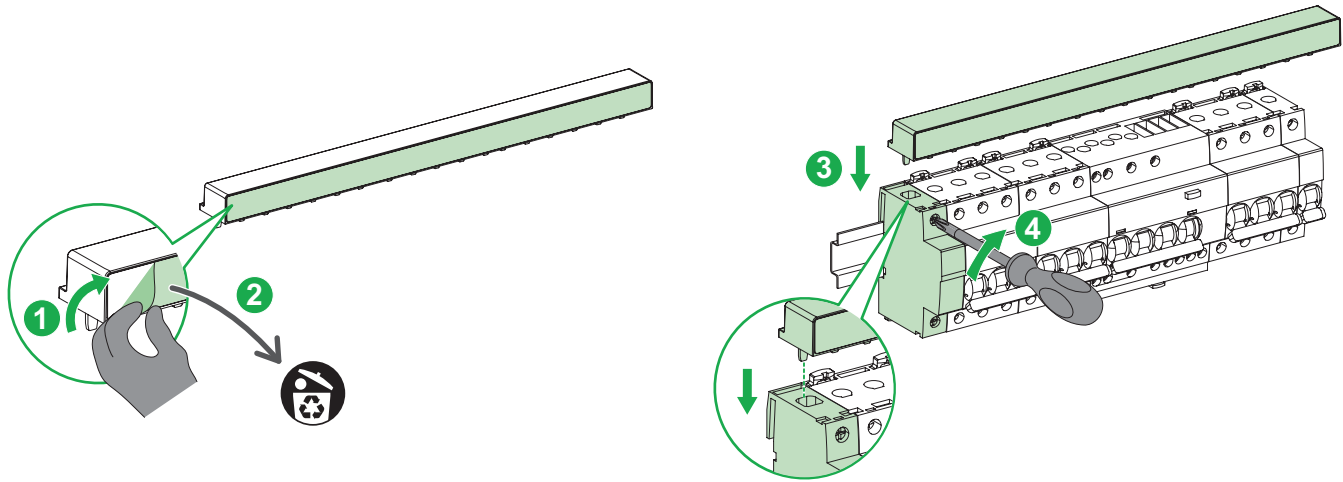
**Note:** Remove the protection film from the busbar before installation of busbar.

Incomers/ Outgoers						
MX9TB1100	14 mm	14 mm	6...50 mm <sup>2</sup>	6...35 mm <sup>2</sup>	3.5 N.m	6.5 mm PZ2
MX9MC163R	14 mm	14 mm	1...35 mm <sup>2</sup>	1...25 mm <sup>2</sup>	3.5 N.m	6.5 mm PZ2
MX9R3240	14 mm	14 mm	1...16 mm <sup>2</sup>	1...10 mm <sup>2</sup>	2 N.m	5.5 mm PZ2
MX9MC132	14 mm	14 mm	1...35 mm <sup>2</sup>	1...25 mm <sup>2</sup>	3.5 N.m	6.5 mm PZ2

# 4

## Installation of Comb Busbar

### 4.2 Three Phase

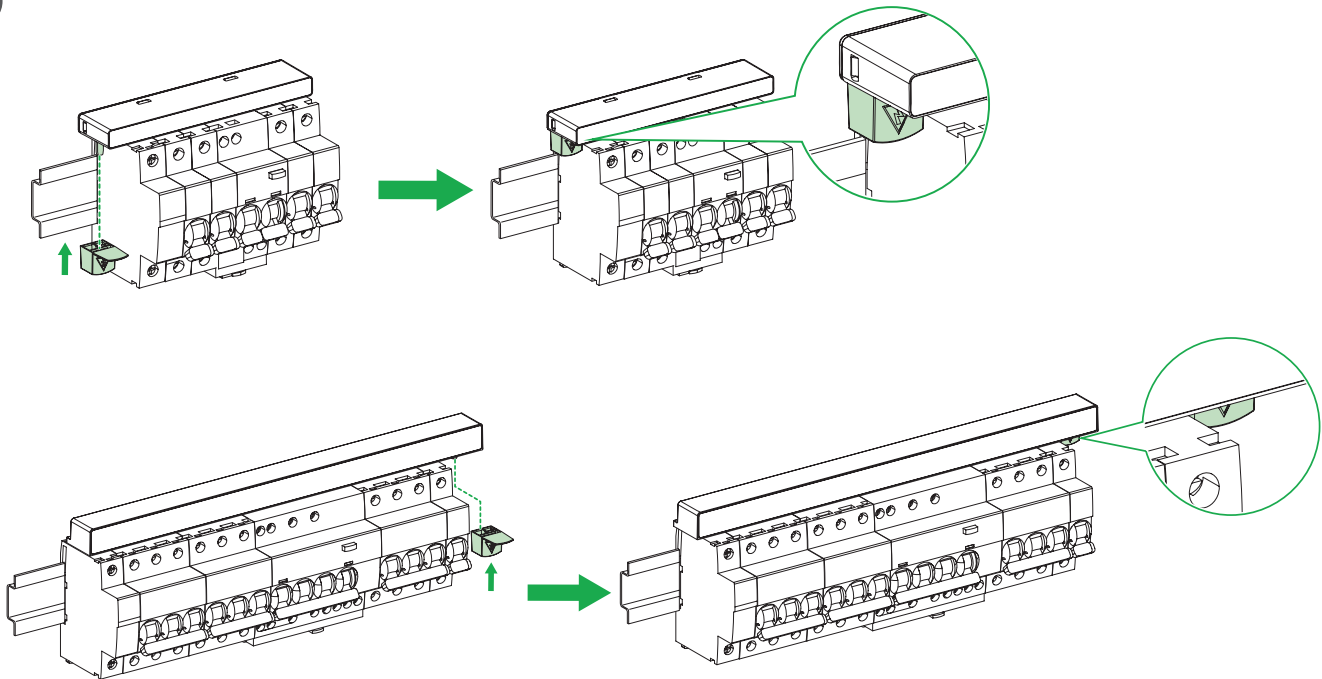


**Note:** Remove the protection film from the busbar before installation of busbar.

Incomers/ Outgoers						
MX9TB1100	14 mm	14 mm	6...50 mm <sup>2</sup>	6...35 mm <sup>2</sup>	3.5 N.m	6.5 mm PZ2
MX9MC363R	14 mm	14 mm	1...35 mm <sup>2</sup>	1...25 mm <sup>2</sup>	3.5 N.m	6.5 mm PZ2
MX9MC132	14 mm	14 mm	1...35 mm <sup>2</sup>	1...25 mm <sup>2</sup>	3.5 N.m	6.5 mm PZ2
MX9R3540	14 mm	14 mm	1...16 mm <sup>2</sup>	1...10 mm <sup>2</sup>	2 N.m	5.5 mm PZ2
MX9MC325	14 mm	14 mm	1...25 mm <sup>2</sup>	1...16 mm <sup>2</sup>	2 N.m	6.5 mm PZ2

# 5

## Installation of Toothcap for MX9K108PP, MX9K318PP

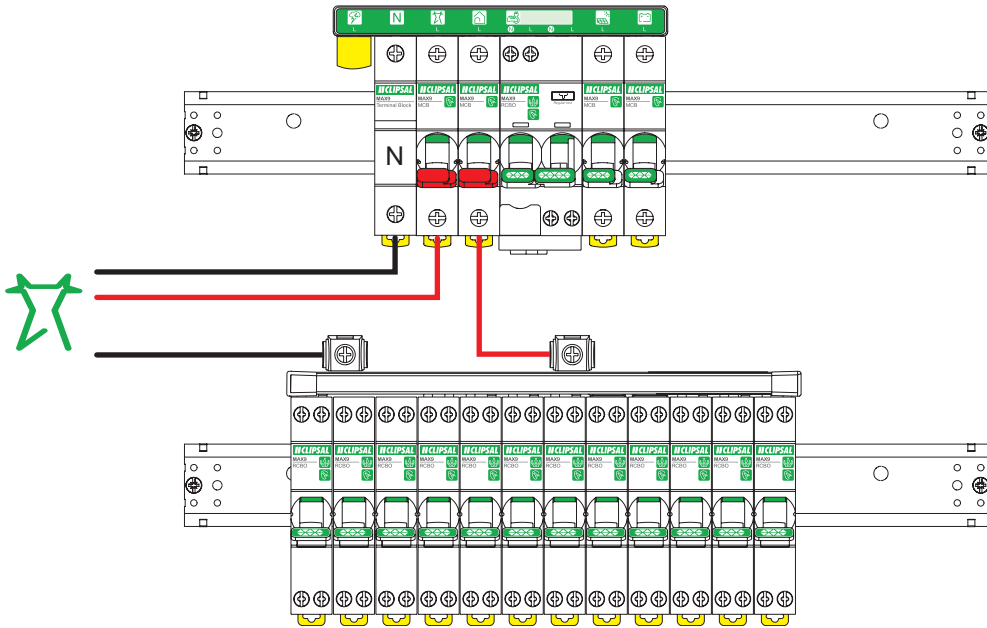


**Note:** For unused teeth on the busbar install tooth caps. (Commercial reference number: RMXPT120).

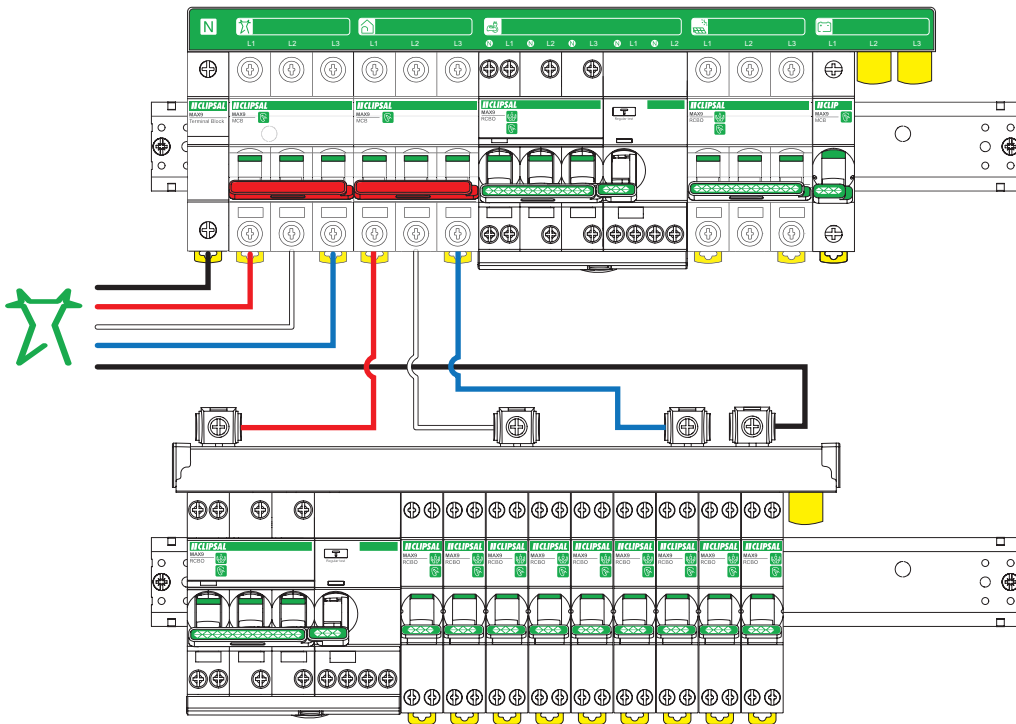
# 6

## Typical System Representation

### 6.1 Single Phase Installation



### 6.2 Three Phase Installation



### 6.3 Additional Technical Information



For more information on additional applications, enclosure compatibility and FAQ's, consult the complimentary guide.

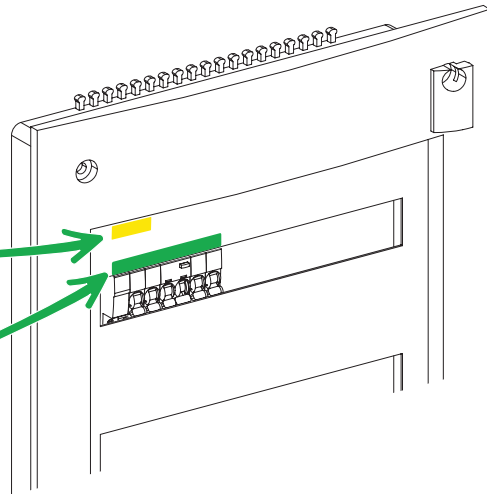
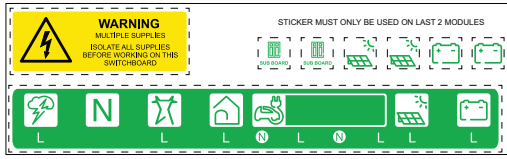


CM910001

# 7 Labelling

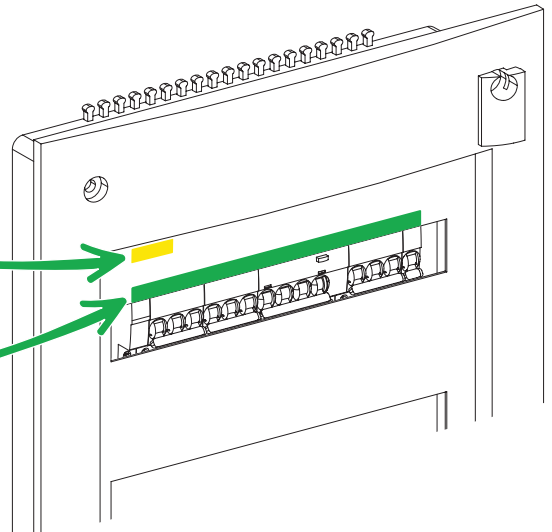
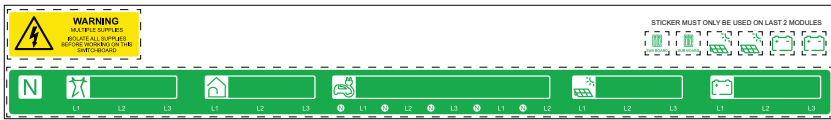
## 7.1 Single Phase

**i**



## 7.2 Three Phase

**i**



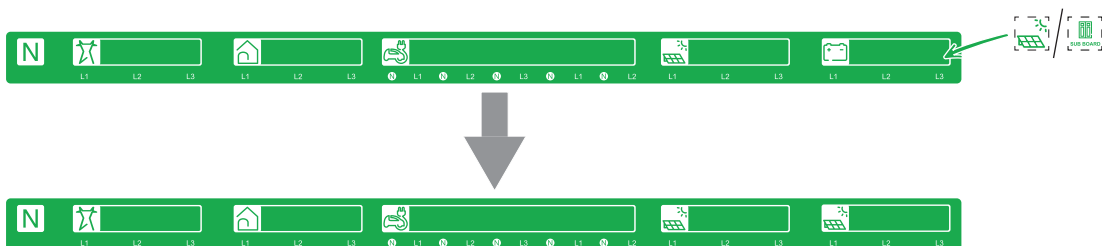
**i**

### Single Phase Label



**Note:** If there is no AC coupled battery connection, apply spare label to last module for 2nd solar connection or sub board if required.

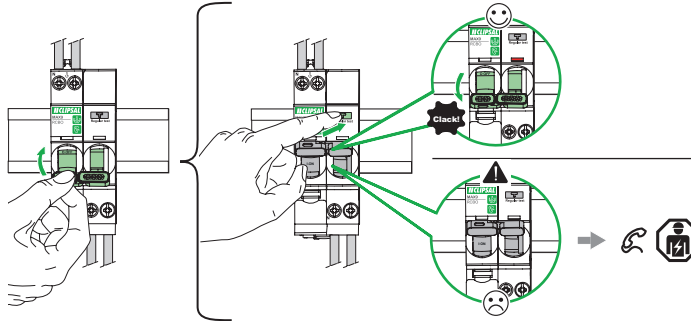
### Three Phase Label



**Note:** If there is no AC coupled battery connection, apply spare label to last module for 2nd solar connection or sub board if required.

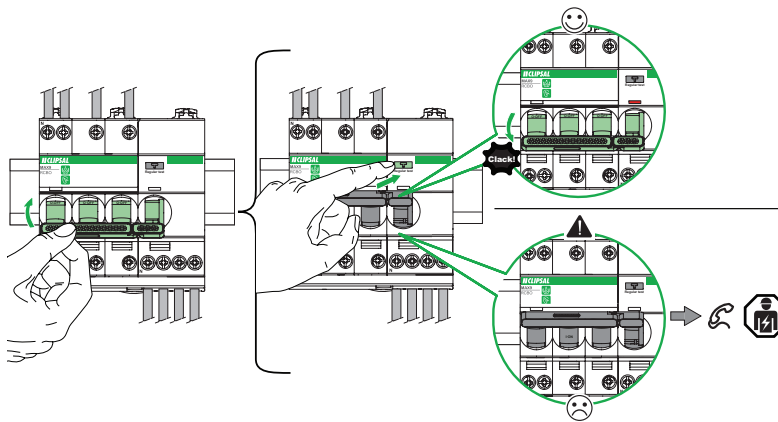
## 8.1 Single Phase

**Note:** Test the device at regular intervals by pressing the Test button (marked T), following the intervals defined in your local regulations or monthly.

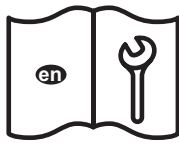


## 8.2 Three Phase

**Note:** Test the device at regular intervals by pressing the Test button (marked T), following the intervals defined in your local regulations or monthly.



## How to Get the Latest Instruction Sheet



PKR78532

- To get the latest instruction sheets for the device:
  - either scan the QR code on this document.
  - or do a search for the document references MX9K108PP or MX9K318PP on [www.clipsal.com](http://www.clipsal.com)
- Contact your local support to get a printed copy of the latest instruction sheet.
- For more information, consult [www.clipsal.com/support](http://www.clipsal.com/support).

---

**Clipsal by Schneider Electric (Australia) Pty Limited**  
33-37 Port Wakefield Road  
Gepps Cross  
South Australia 5094



Printed on recycled paper.

Customer Care Centre  
Tel: 13 73 28  
Email: [customercare.au@se.com](mailto:customercare.au@se.com)  
Fax: 1300 369 288  
[www.clipsal.com](http://www.clipsal.com)

Life Is On

