



PUMA™ VANDAL PROOF

Puma Vandal Proof with USB

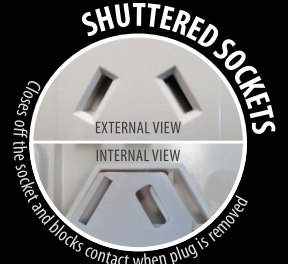
Puma Vandal Proof now features of a
Double Power Point with USB (Type A & C)
USB Power points are available in White or Black.



PUPPUSB2GACVPD



NO REMOVABLE COVER



SHUTTERED SOCKETS

EXTERNAL VIEW
INTERNAL VIEW
Closes off the socket and blocks contact when plug is removed



YELLOW RESISTANT

UV
STABILISED



SHUTTERED USB'S

PUPPUSB2GACVP model

USB
SINGLE
POLE
ONLY

Double
Pole
Power
Points



PUPPUSB2GACVP

USB
SINGLE
POLE
ONLY



PUPPUSB2GACVPBK

USB
SINGLE
POLE
ONLY

13mm

Please note:
PUPPUSB2GACVP &
PUPPUSB2GACVPBK
Power Points with USB
are SINGLE POLE ONLY



2 Year Warranty on USB Products



PUMA™ VANDAL PROOF

Trader's Puma Vandal Proof has arrived - with a full range of switches and sockets ready for use by Australian Electrical Contractors. See all the features and benefits below.

Power Points with USB:

- Suitable for USB Type A and Type C applications up to 3 Amp at 5V.
- Ideal for phones that utilise USB Type C connections.
- Not suitable for lap tops or other devices requiring greater output than 3 Amp at 5V.
- USB outlet approved to AS/NZS 60950.1
- Electrical power point approved to AS/NZS 3112
- The overall electronic assembly rating is 3.4A at 5V; it then divides the output when devices are inserted in each USB socket.
- PUPPUSB2GACVP has shuttered USB sockets.
- Single Pole, 10A 250V~ Electrical Switched sockets.
- PUPPUSB2GACVPD sockets are double pole.
- Shuttered Electrical Switched sockets.
- Fits standard wall boxes and mounting accessories.
- Full cover plate.
- Covers, plates and dollies are made from UV stabilised polycarbonate to avoid discolouring to yellow.
- Shutter operates from either earth or neutral
- PUPPUSB2GACVP available in White and Black. Please check availability.
- PUPPUSB2GACVPD available in White.

Part numbers and descriptions:

PUPPUSB2GACVP - Fully integrated Dual USB Charger Power Point (Type A and C) Single Pole, Shuttered, Vandal Proof

PUPPUSB2GACVPBK - Fully integrated Dual USB Charger Power Point (Type A and C) Single Pole, Shuttered, Vandal Proof, Black

PUPPUSB2GACVPD - Fully Integrated Dual USB Charger Power Point (Type A and C) Single Pole, Shuttered, Vandal Proof
DOUBLE POLE

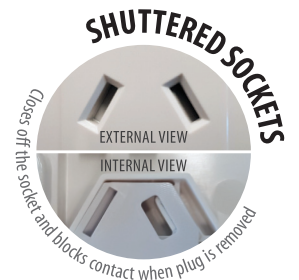


Double Pole Power Points



TRADER®

100 Years of Gerard Electrical Tradition



Please note:
PUPPUSB2GACVP &
PUPPUSB2GACVPBK
Power Points with USB
are SINGLE POLE ONLY



Trademark References are similar or equivalent product to Clipsal*. The comparisons we use are as close to correct as possible at time of writing.
*The Clipsal brand and associated product codes are Trademarks of Schneider Electric (Australia) Pty Ltd

**2 Year Warranty on USB Products

PUPPUSB2GACVP
PUPPUSB2GACVPBK
PUPPUSB2GACVPD

Cleaning Guide:

Spraying cleaning products directly on to electrical switches or power points (sockets) is not recommended.

It is important to ensure that switches are turned off before cleaning.

Do not use any cleaning sprays - only wipe down with damp cloth or rub with dry cloth. Do not use an abrasive cloth as it may scratch the plastic.

Do not use harsh chemical cleaners as these can break down the plastic and cause it to crack.

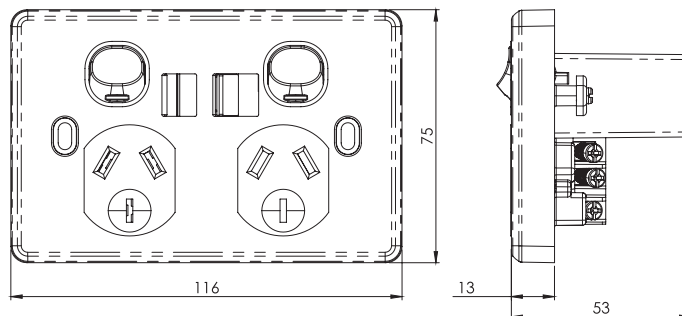
Do not wash the cover plates in water over 60°C.



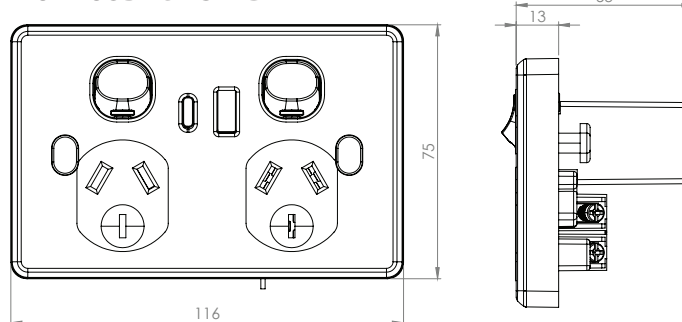
Puma Vandal Proof Range of USBs

- Suitable for USB Type A and Type C applications up to 3 Amp at 5V.
- Ideal for phones that utilise USB Type C connections.
- Not suitable for lap tops or other devices requiring greater output than 3 Amp at 5V.
- USB outlet approved to AS/NZS 60950.1
- Electrical power point approved to AS/NZS 3112
- The overall electronic assembly rating is 3.4A at 5V; it then divides the output when devices are inserted in each USB socket.
- PUPPUSB2GACVP has shuttered USB sockets.
- Single Pole, 10A 250V~ Electrical Switched sockets.
- PUPPUSB2GACVPD sockets are double pole.
- Shuttered Electrical Switched sockets.
- Fits standard wall boxes and mounting accessories.
- Full cover plate.
- Covers, plates and dollies are made from UV stabilised polycarbonate to avoid discolouring to yellow.
- Shutter operates from either earth or neutral
- PUPPUSB2GACVP available in White and Black. Please check availability.
- PUPPUSB2GACVPD available in White.

PUPPUSB2GACVP



PUPPUSB2GACVPD



Catalogue Number	Description
PUPPUSB2GACVP	Power Point, Fully Integrated Dual USB Charger Single Pole (Type A & C) Shuttered
PUPPUSB2GACVPBK	Power Point, Fully Integrated Dual USB Charger Single Pole (Type A & C) Shuttered, Black
PUPPUSB2GACVPD	Power Point Switched 2 Gang 10A 250V Double Pole Shuttered with USB Charger Dual Integrated Type A and C 5V 1.7A 3.4A Vandal Proof with Non-removable Cover White

Certification Number:
GMA-508273-EA

GSM Electrical (Australia) Pty Ltd
 Level 2, 142-144 Fullarton Road, Rose Park SA 5067
 P: 1300 301 838 F: 1300 301 778 E: service@gsm.com.au
www.gsm.com.au





100 Years of Gerard Electrical Tradition



Hippo Dual Type A & C Charger Weatherproof Range

IP54 rating with Type A and C USB ports for outdoor charging for phones, tablets and other small devices.

Available in Grey, Black & Matt Black.



Order code: **HPPP2USB2GAC**

Order code: **HPPP2USB2GACBK**

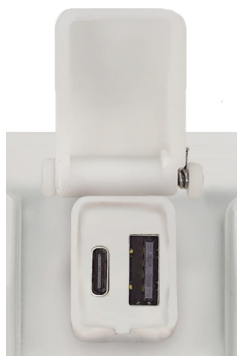
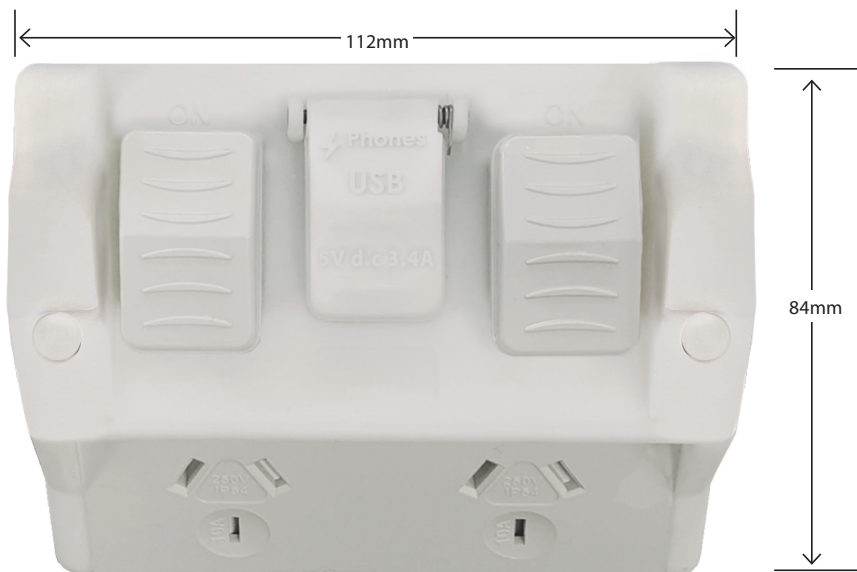


Order code: **HPPP2USB2GACMBK**

Outdoor Dual USB Type A & C Charger

HPPP2USB2GAC

- 10A 250V~ rated modular weatherproof power point.
- 3.4A 5V DC Type A and C USB charging.
- The Hippo product including dollies and USB cover are made from UV Stabilised Polycarbonate to avoid discolouring.
- IP54 ideal for prevention against water splashes or harmful objects that may compromise conventional socket outlets. Perfect for use in exterior applications, or damp/dusty environments - building exteriors, carports, gardens or workshops.
- Styling matches the rest of the Trader Hippo family of products.
- Contains 25mm plain entries. With one 25mm threaded entry.
- The Hippo mounting detail is printed on the flap of the boxes 112 x 82mm.
- Shutter operates from either Earth or Neutral.
- UV stabilised
- Colour: Grey, Black & Matt Black - please check availability.



USB Type A & C



USB Cover under flap for when USB's not in use.



100 Years of Gerard Electrical Tradition



**HPPP2USB2GAC
HPPP2USB2GACBK
HPPP2USB2GACMBK**

*See current catalogue for further detail

**SOCKETS
ARE IP54
RATED
ZONE 2
READY**

**DOES NOT REQUIRE
A COVER! It comes
standard as IP54!**

*No need for additional plastic
socket flaps to achieve IP54
"ZONE 2" for pools, wet areas
and ponds; as per AS/NZS3000.*

Cleaning Guide:

Spraying cleaning products on to electrical products is not recommended. It is important to ensure that switches are turned off before cleaning.

Do not use any cleaning sprays - only wipe down with damp cloth or rub with dry cloth. (Do not use an abrasive cloth as it may scratch the plastic).

Do not use harsh chemical cleaners as these can break down the plastic and cause it to crack.



Hippo Range of USBs

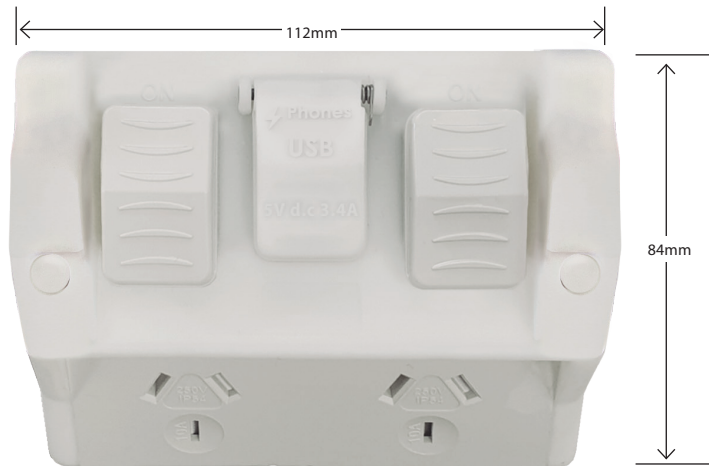
- 10A 250V~ rated modular weatherproof sockets.
- 3.4A 5V DC Type A and C USB charging.
- The Hippo product including dollies and USB cover are made from UV Stabilised Polycarbonate to avoid discolouring.
- IP54 ideal for prevention against water splashes or harmful objects that may compromise conventional socket outlets. Perfect for use in exterior applications, or damp/dusty environments - building exteriors, carports, gardens or workshops.
- Styling matches the rest of the Trader Hippo family of products.
- Contains 25mm plain entries. With one 25mm threaded entry.
- The Hippo mounting detail is printed on the flap of the boxes 112 x 82mm.
- Shutter operates from either Earth or Neutral.
- UV stabilised.
- Colour: Grey, Black & Matt Black - please check availability.



USB Type A & C



USB Cover under flap for when USB's not in use.



Catalogue Number	Description
HPPP2USB2GAC	Power Point Weatherproof 2 Gang 10A 250V USB Charger Dual Type A and C 3.4A 5V
HPPP2USB2GACBK	Power Point Weatherproof 2 Gang 10A 250V USB Charger Dual Type A and C 3.4A 5V Black
HPPP2USB2GACMBK	Power Point Weatherproof 2 Gang 10A 250V USB Charger Dual Type A and C 3.4A 5V Matt Black

Certification Number:
GMA-519001-EA

GSM Electrical (Australia) Pty Ltd
Level 2, 142-144 Fullarton Road, Rose Park SA 5067
P: 1300 301 838 F: 1300 301 778 E: service@g sme.com.au
www.g sme.com.au

