

QUANTUM DC Series Installation Guide

Thanks for choosing our Quantum DC Series ceiling fan.
We strongly recommend that you read this manual carefully before installation.



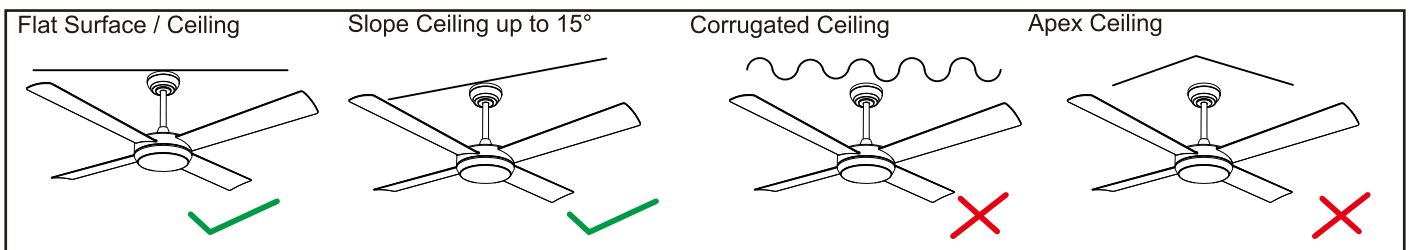
Models Parameters (Fan Only):-

- MQDC1243WR 1220mm 4 Blade DC Ceiling Fan White with light
- MQDC124WR 1220mm 4 Blade DC Ceiling Fan White
- MQDC1343WR 1320mm 4 Blade DC Ceiling Fan White with light
- MQDC134WR 1320mm 4 Blade DC Ceiling Fan White

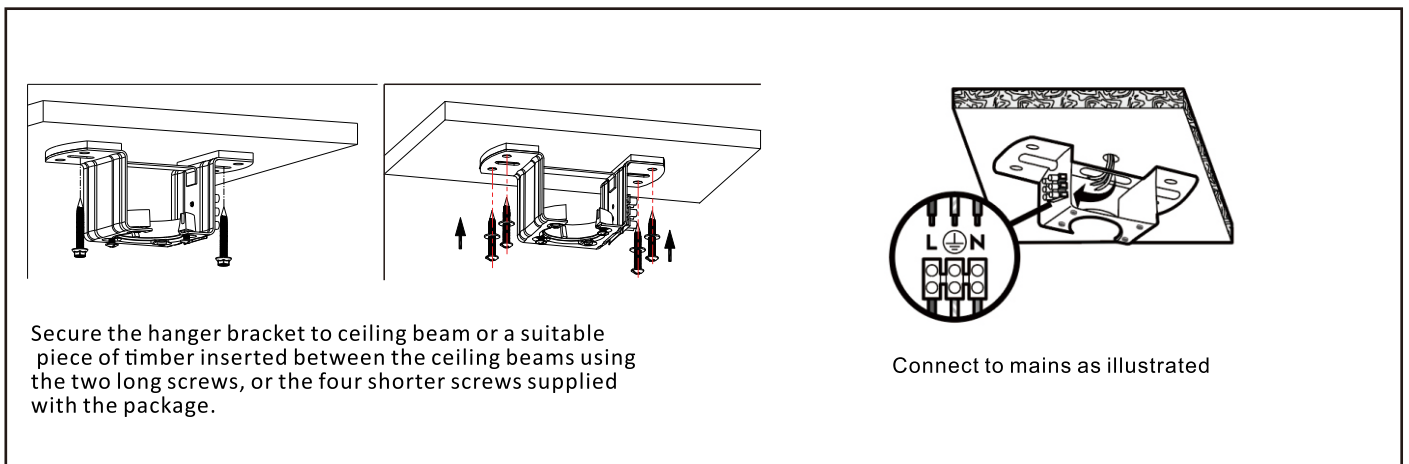
Part List:

- | | | | |
|--------------------------|---------------------------|------------------|-------------------------|
| Qty 1x Motor assembly | Qty 1x Instruction manual | Qty 1x Screw kit | Qty 1x Mounting Bracket |
| Qty 1x Remote & Receiver | Qty 3x Blades | | |

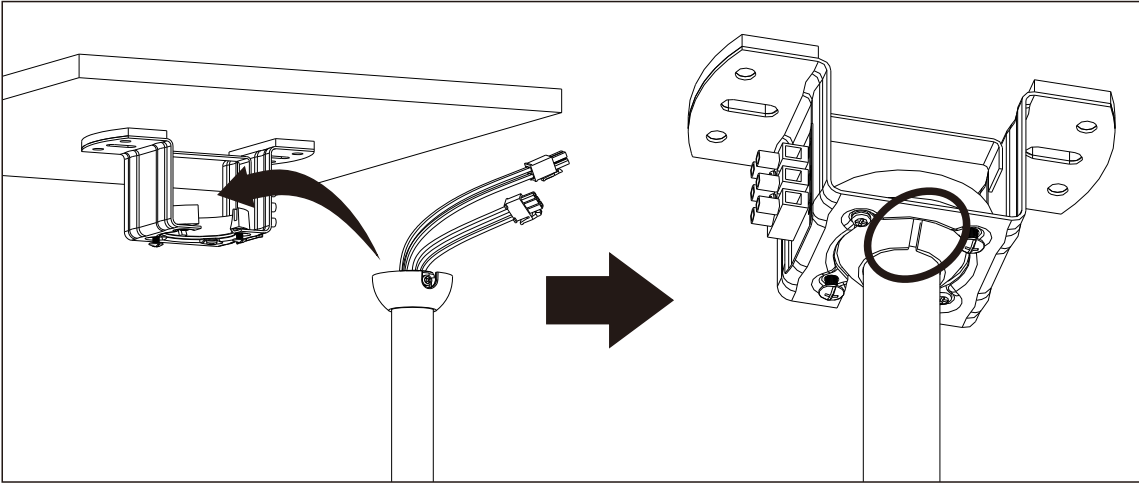
Application



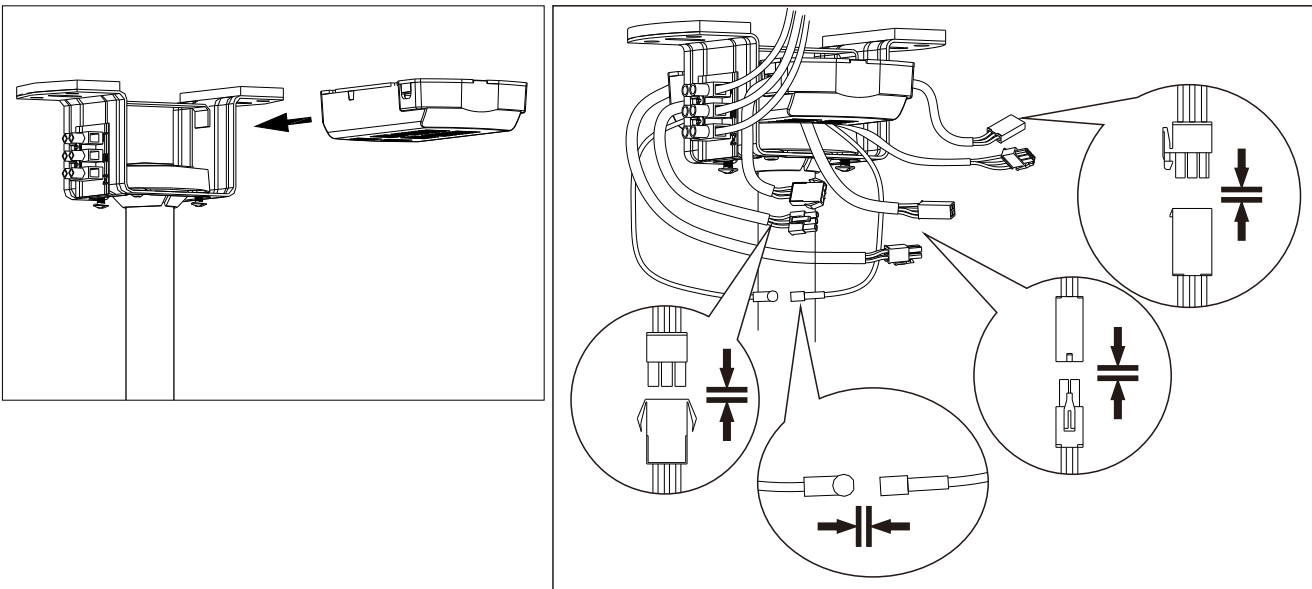
How to Assemble



Place fan into hanger bracket and align Ball Joint Slot with hanger bracket as illustrated.



Place the receiver into the bracket and connect between power and motor as illustrated.



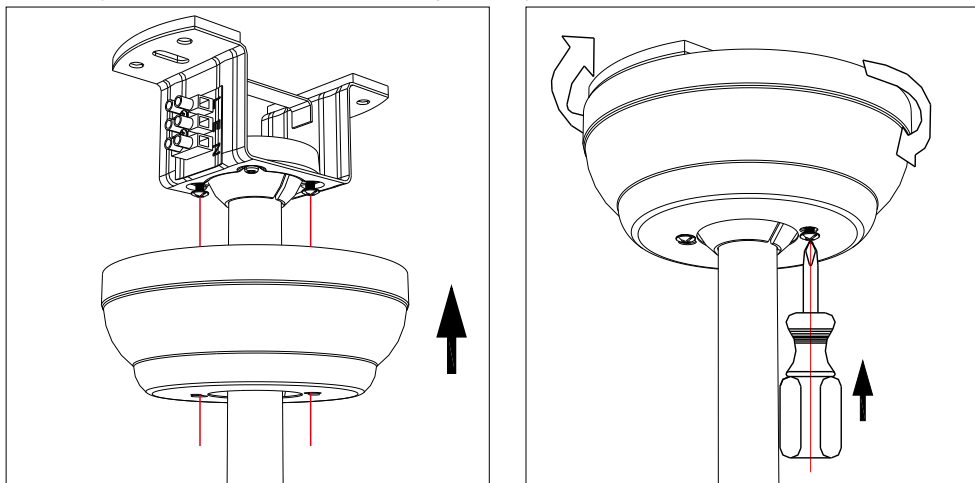
Wire up the receiver with quick connectors and insert into the mounting bracket. Please make sure the antenna wire has been safely folded inside the canopy cover before final assembly (DO NOT cut the antenna wire)

Important Reminders

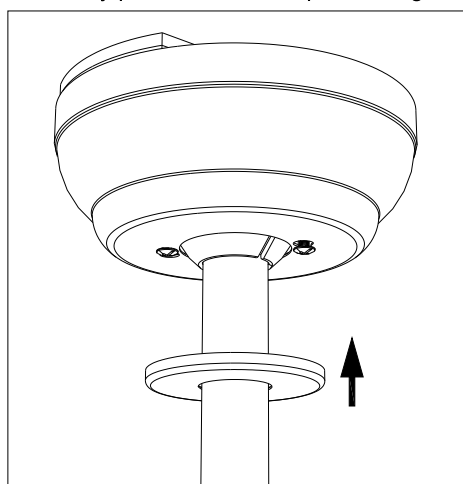
Receiver must be correctly installed in the mounting bracket
When the transmitter cannot control the receiver, please check

- i) has sufficient battery in the transmitter
 - ii) any existence of similar remote controlled products nearby that cause interference
- Replace battery if getting low as this will affect sensitivity of the transmitter
Take the battery out from the transmitter when leaving used for a long time to avoid battery leaks
Isolation switch MUST be connected in the line

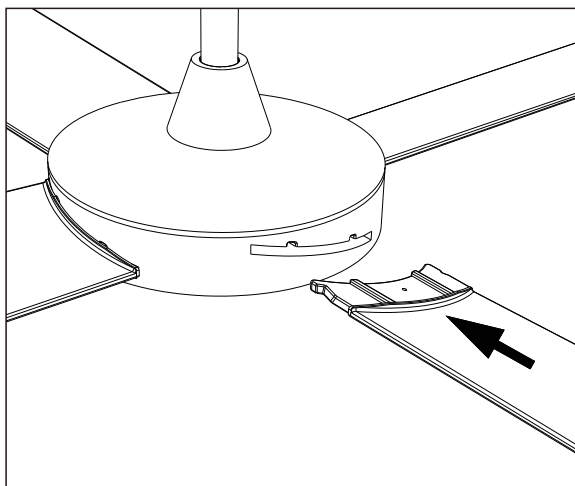
Carefully pull up and install the ceiling canopy as illustrated



Carefully put the screw cap on using the piece of magnetic supplied.



How to install blades

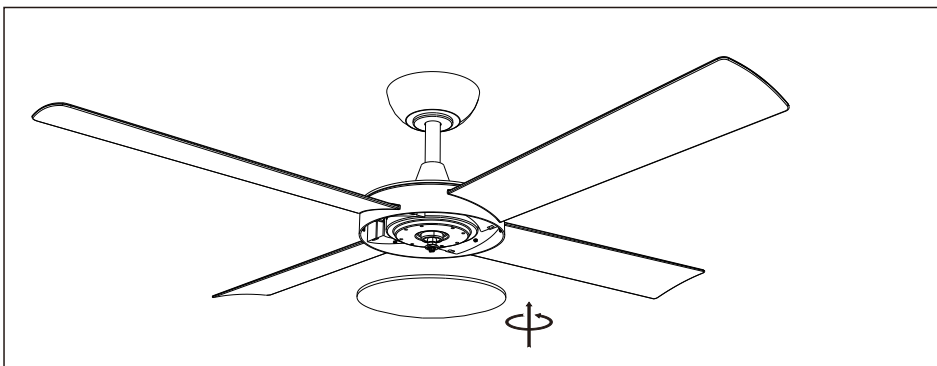


Insert the fan blades into the fan body.

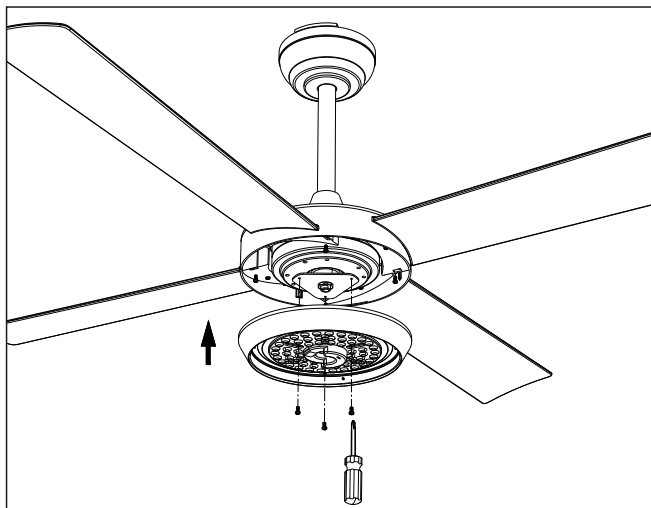
NB: Ensure the blades do not get damaged or bent during the installation process while the fan maybe on the ground, this will affect the performance and balance of the fan and this is NOT covered under warranty

Install the cover as illustrated to finish the installation.

If you are installing model with LED light, **GO TO** the next step.

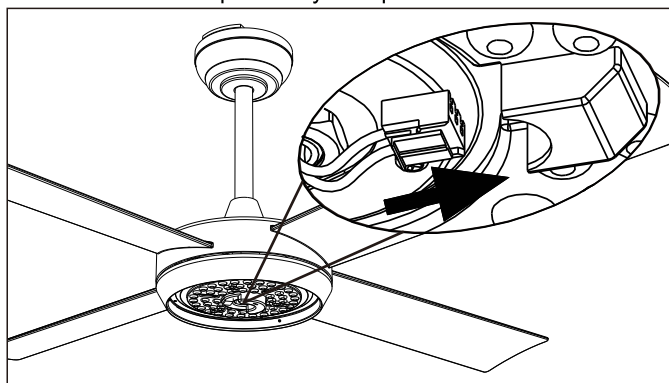


Installing light

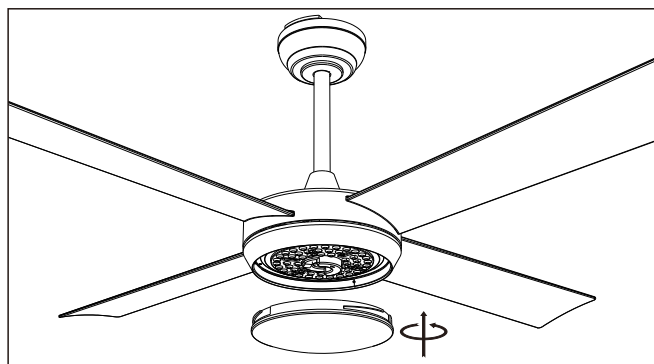


Install the LED light plate onto the steel bracket as illustrated with the 3 supplied screws.

Connect LED with power by the quick connectors.



Install the diffusers as illustrated to finish the installation.




WARNING Installation MUST carry out by a qualified and licensed electrician.

Remote Control Pairing


Fan only model


Pairing the remote control

1. Turn on the ceiling fan.
2. Within the first 20 seconds, continue pressing the  button until you hear a “beep” sound. ie. It is paired.

If you don't hear a “beep” sound, repeat step 1 and step 2 again.



FAN OFF  : to switch off the fan.

SLEEP MODE  : Turn on the fan at an extra lower speed to create a general breeze.

SPEED BUTTON: 1 = lowest speed. 6 = highest speed.


NATURAL WIND MODE  : designed for the elderly and children. 1-6 speed changes randomly to feel the breeze.

FORWARD AND REVERSAL  : summer/winter reverse mode.

TIMER 1H/4H/8H: preset timer for fan and light to stop automatically. ie. if timer set at 1H and then press 4H, fan will stop at 4H. Setting default to last press.

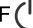
Fan LED Light Model


Pairing the remote control

1. Turn on the ceiling fan.
2. Within the first 20 seconds, continue pressing the  button until you hear a “beep” sound. ie. It is paired.

If you don't hear a “beep” sound, repeat step 1 and step 2 again.



FAN OFF  : to switch off the fan.


SLEEP MODE  : Turn on the fan at an extra lower speed to create a general breeze.

SPEED BUTTON: 1 = lowest speed. 6 = highest speed.

NATURAL WIND MODE  : designed for the elderly and children. 1-6 speed changes randomly to feel the breeze.

FORWARD AND REVERSAL  : summer/winter reverse mode.

TIMER 1H/4H/8H: preset timer for fan and light to stop automatically. ie. if timer set at 1H and then press 4H, fan will stop at 4H. Setting default to last press.

LIGHT ON/OFF  : to switch off the light.

CCT : warm white (2700K) / natural white (4000K) / cool white (6500K)

LED- LED+ : minus “-” = reduces brightness
plus “+” = increases brightness

6* Year Warranty

For further information please visit our website (link below) OR scan the QR code.

<https://www.martecaustralia.com.au/warranty-statement/>



WARNING

- Installation of fans MUST follow SAA standards and meet local authority regulations.
- Installation MUST be carried out by a qualified and licensed electrician.
- Fan and light MUST be earthed.
- Bracket MUST be firmly attached to a flat solid structure or timber frame.
- DO NOT mix blades from one model to another, all blades MUST be replaced if damaged.
- The warranty is VOID if product is not installed according to this installation guide.

