

ROBUS®

SPEEDBEAM PLUS 4 WATTAGE SELECTABLE LED BATTEN, IP20, WHITE, CCT3 SELECTABLE

RSBX06CCT3-01 RSBX12CCT3-01

PLEASE READ INSTRUCTION BEFORE COMMENCING INSTALLATION AND RETAIN FOR FUTURE REFERENCES.

! Electrical products can cause death or injury, or damage to property. If in any doubt about the installation or use of this product, consult a competent electrician

Note:

Product technical information and specification may change over time without prior notification. For the latest technical information please visit our web site www.robus.com.au and www.robusled.co.nz

-25°C < Ta < +40°C, 220-240V ~ 50Hz, Class I, IP20
Luminaire is non-dimmable.

Compatible with RHA2WEMSTA-PSU emergency pack, (90-minutes emergency duration) and RLMW microwave sensor accessory.

Note: These accessories must be fixed onto the locations marked "EM" for emergency pack, or "MS" for the microwave sensor on the inside of the fittings. Can not achieve to assemble the emergency pack and sensor at the same time into the fitting of RSBX06CCT3-01 due to the inner space limited.

Installation

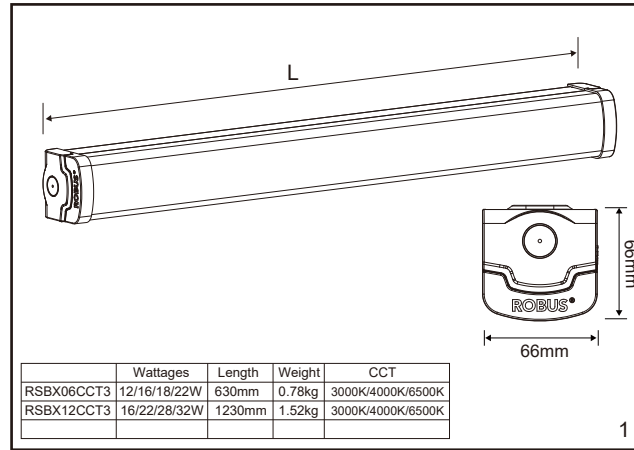
1. Ensure mains supply is switched off before commencing work.
2. Select suitable location for luminaire.
3. Safety note! The power supply cord must not be exposed to mechanical damage.
4. Disassemble the fitting base from the fitting (as per fig. 2 & 3).
5. Mark appropriate fixing hole positions on wall based on the fitting base, check location of buried cables, pipes and other building services before drilling.
6. Drill holes in the wall and insert the wall plugs. And feed supply cables through cable entry hole and attach base to wall.
7. Connect supply: Live/Brown to SL, Neutral/Blue to N and Yellow/Green to Earth.
8. Select the wattage using the DIP switch on the driver and select the colour temperature (3000K, 4000K or 6500K) using the switch on the back of the LED metal plate.

WARNING: Do not change the wattage or CCT when the fitting is on.
9. Refit the front diffuser to the base and secure using the lock mechanism.
Note: This luminaire has no user serviceable parts. If damaged, disconnect from mains and discontinue use.

The Installation must be carried out by a qualified electrician

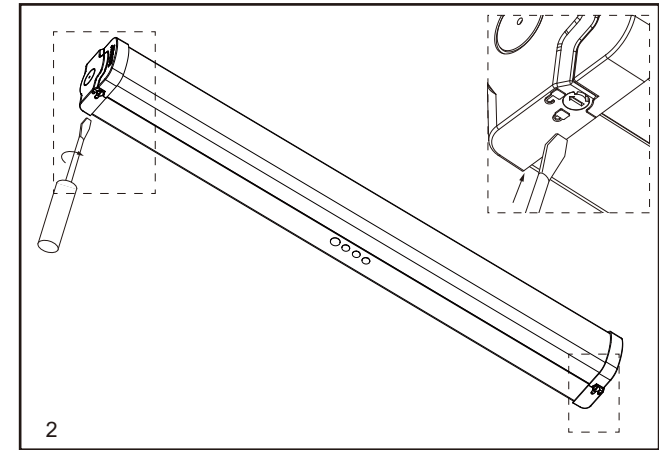
LED Group Australia Pty Limited
Suite B, 2 Pittwin Road
Capalaba
Queensland 4157
Australia
Tel: 07 3890 5444
Fax: 07 3890 4777
Email: purchases@robus.com
Website: www.robus.com.au

LED Group
Crowe Hogwarth
72 Trafalgar Square
NELSON 7010
New Zealand
Tel: +64 3668 5285
Email: nz_purchases@robus.com
Website: www.robusled.co.nz

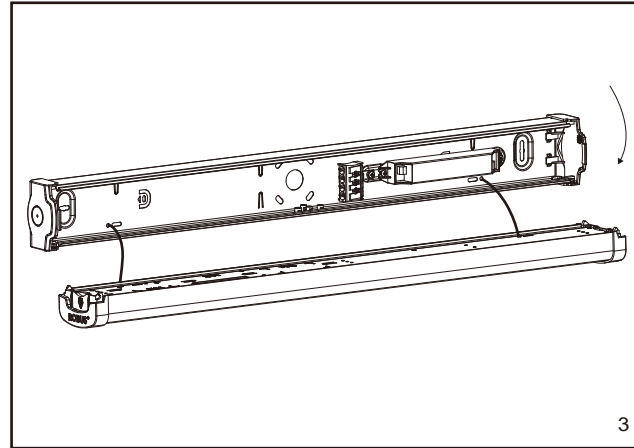


	Wattages	Length	Weight	CCT
RSBX06CCT3	12/16/18/22W	630mm	0.78kg	3000K/4000K/6500K
RSBX12CCT3	16/22/28/32W	1230mm	1.52kg	3000K/4000K/6500K

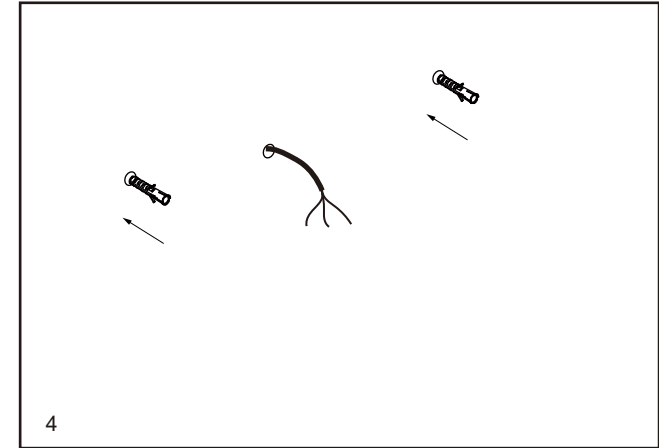
1



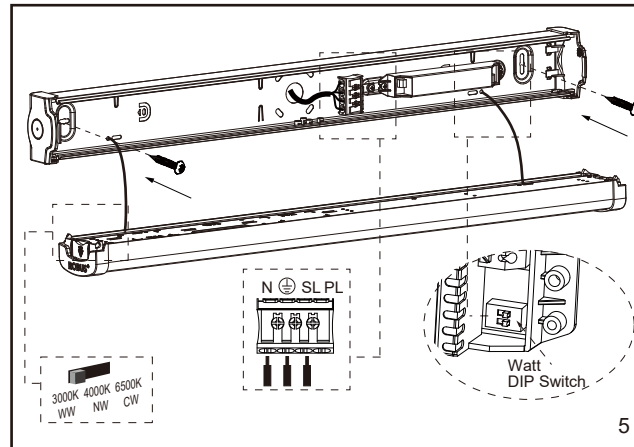
2



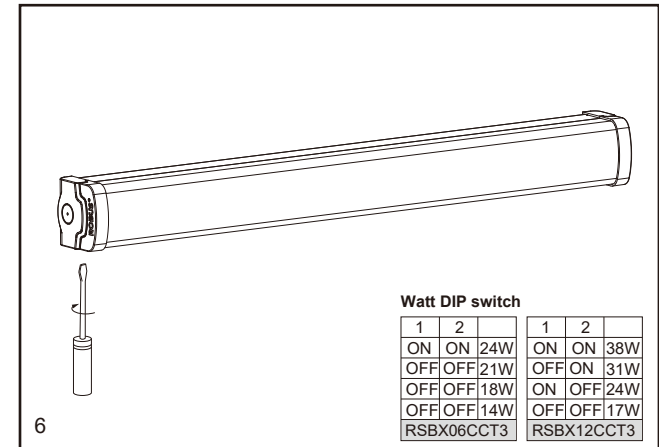
3



4



5



6

Watt DIP switch

1	2		1	2	
ON	ON	24W	ON	ON	38W
OFF	OFF	21W	OFF	ON	31W
OFF	OFF	18W	ON	OFF	24W
OFF	OFF	14W	OFF	OFF	17W
RSBX06CCT3			RSBX12CCT3		