

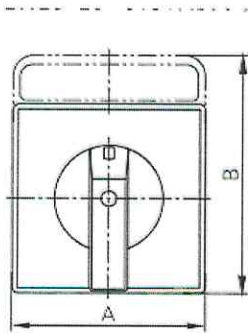
S3P20C/O

Photo

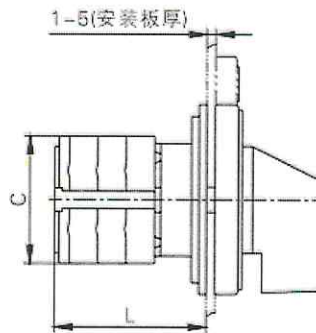
Electrical Diagram



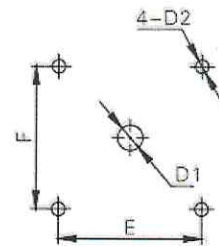
Position \ Line	1	0	2
Angle	-60°	0°	60°
1-2	X		
3-4			X
5-6	X		
7-8			X
9-10	X		
11-12			X



Product code



Product dimension



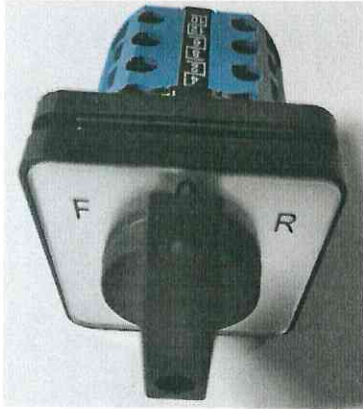
mounting dimension

型号规格	面板规格	外形尺寸 (mm)				安装尺寸 (mm)			
		A	B	C	L	E	F	D1	D2
LW26-20	M1 方形	48	48	43	22+9.6n	36	36	∅3.5	∅4.5

L: 22+9.6X3=50.8

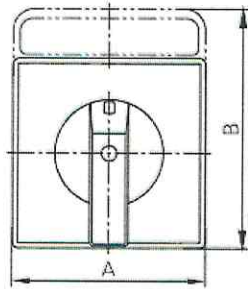
S3P20F/R

Photo

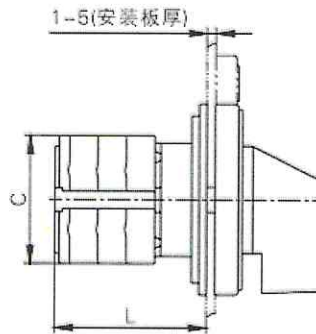


Electrical Diagram

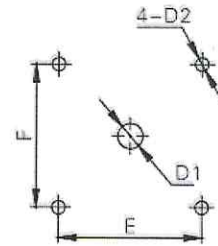
Position Line	F	0	R
Angle	-60°	0°	60°
1-2	X		
3-4			X
5-6	X		
7-8			X
9-10	X		
11-12			X



Product code



Product dimension



mounting dimension

型号规格	面板规格	外形尺寸 (mm)				安装尺寸 (mm)			
		A	B	C	L	E	F	D1	D2
LW26-20	M1 方形	48	48	43	22+9.6n	36	36	ø3.5	ø4.5

L: 22+9.6X3=50.8